



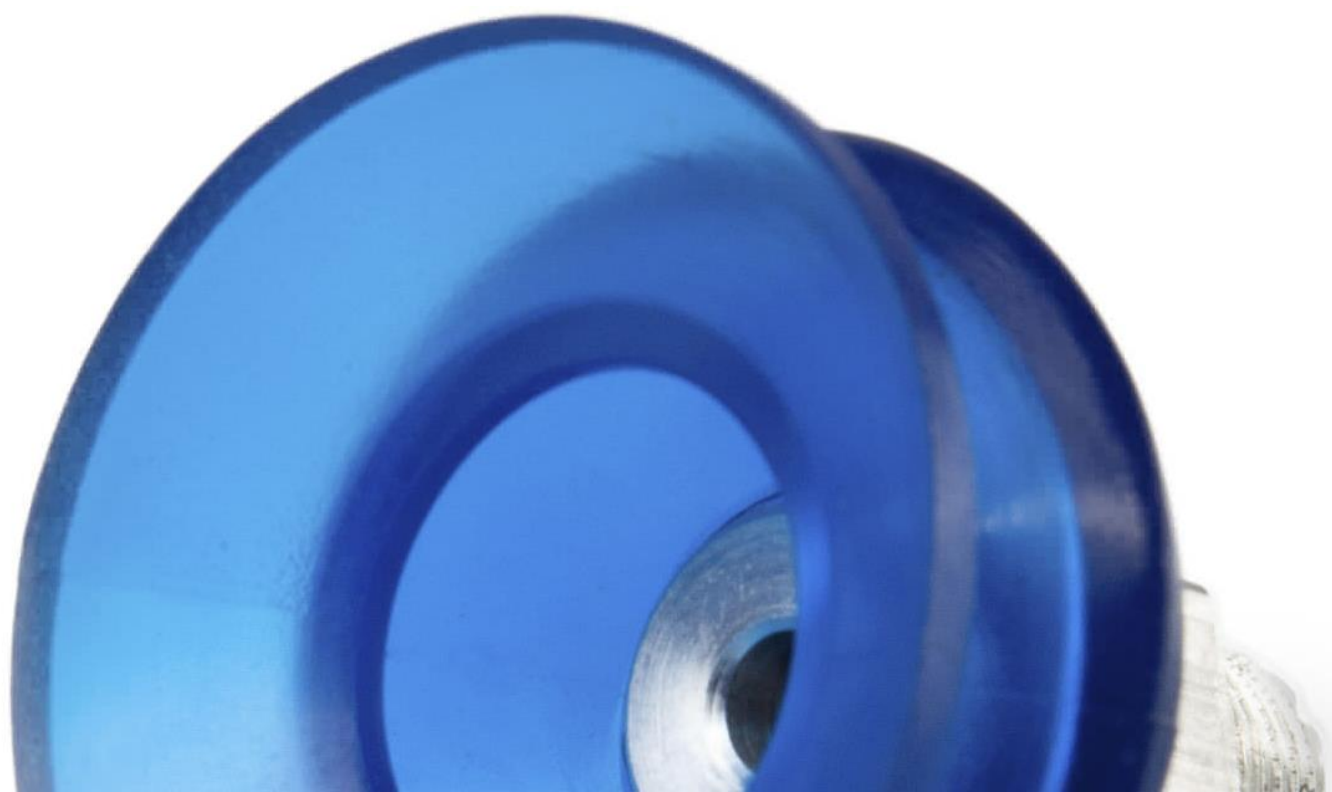
POMPE PER VUOTO

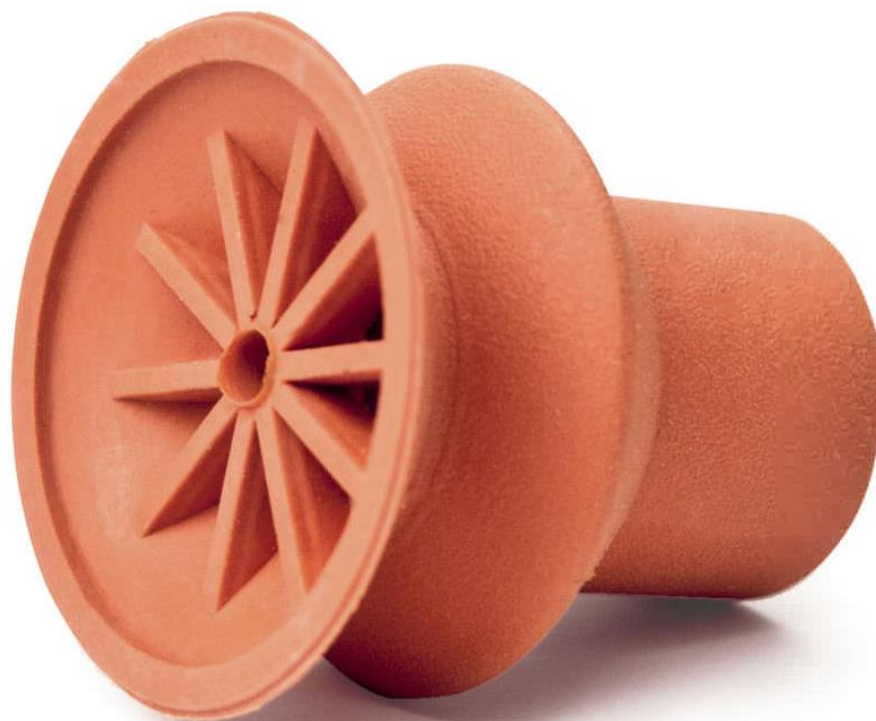
GRIPPERS

VENTOSE PIANE SERIE M

Ventose da 20 a 29,99

Flat Cups from 20 to 29,99





Oltre alle pompe per vuoto è nata l'esigenza di soddisfare le richieste dei clienti di fornitura di ventose.

Siamo in contatto con molti produttori così da ricambiare le ventose già da Voi utilizzate. Abbiamo anche una ns. linea di ventose, serie M, economiche e di elevate performance. Contattaci per dei preventivi o per un contatto con un nostro tecnico.

More than Vacuum Pumps, Customers ask more and more frequently to TBF many different type of grippers. TBF are in contact to many brand and manufacturer so we can offer the some grippers you already use (1:1). But now we also have our new line of grippers, M series, cheap and with high performance and durability. Contact us for any further information or for a quote.





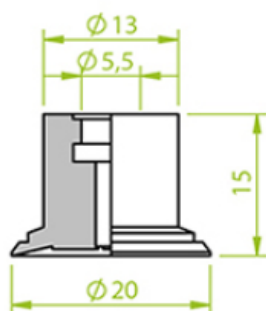
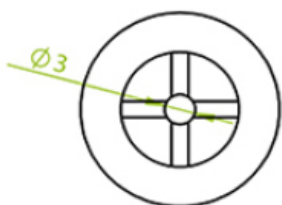
Disponiamo di un gran numero di materiali tra cui NBR, Silicone, Poliuretano, Para Naturale e molti altri. Oltre alla forma della ventosa è importante scegliere il materiale migliore per la Vs applicazione.

We have more and more materials for our grippers, for example: NBR, Silicone Rubber, Polyrethan, Natural Rubber and each others. It's very important choose the best material for your application as the shape.





10.020.008._

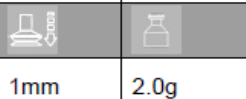


Materialcode

01 NBR
03 NR
02 Silikon
12 verstärktes Silikon

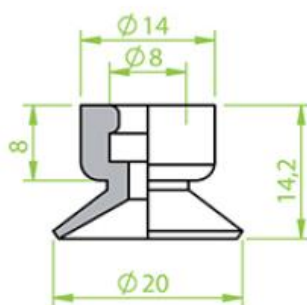
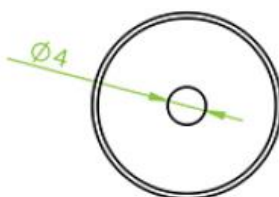
Halter Fitting **Gewinde Thread**

130.005 M5 IG
130.037 M 5 AG
130.085 1/8" AG
130.086 1/8" IG



1mm 2.0g

10.020.011._



Materialcode

03 NR
02 Silikon

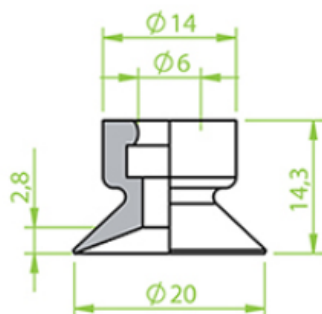
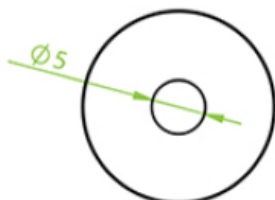
Halter Fitting **Gewinde Thread**

130.006 1/8" AG



3.5mm 2.2g

10.020.015._

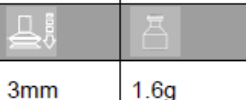


Materialcode

03 NR
02 Silikon

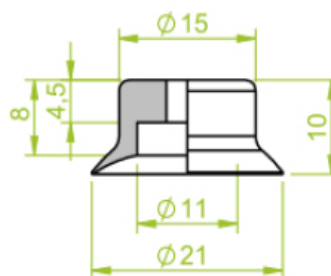
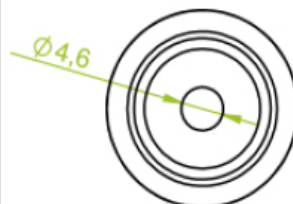
Halter Fitting **Gewinde Thread**

130.037 M 5 AG
130.085 1/8" AG
130.086 1/8" IG



3mm 1.6g

10.020.019._

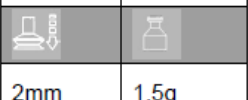


Materialcode

05 Polyurethan
02 Silikon

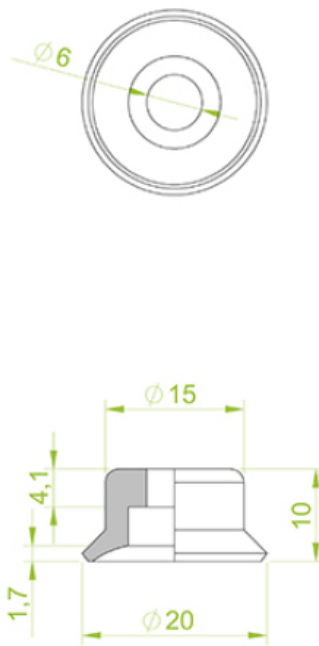

Halter Fitting **Gewinde Thread**

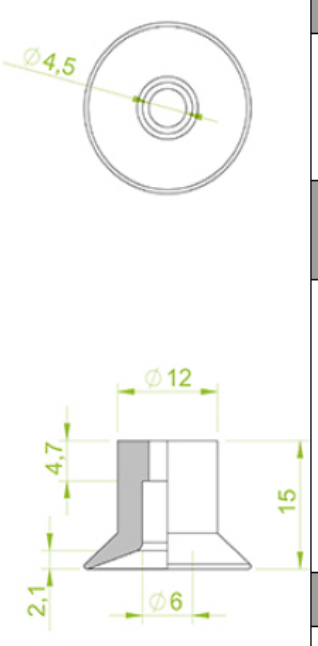

130.006 1/8" AG
130.019 1/8" IG
130.030 1/8" AG
130.274 1/4" AG
130.275 1/4" IG

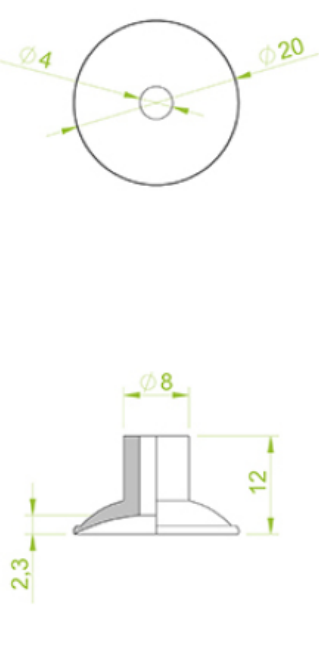



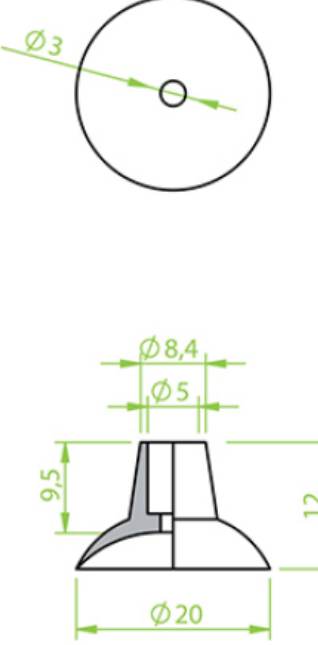

2mm 1.5g



10.020.048._	
	Materialcode
	02 Silikon
Halter Fitting	Gewinde Thread
130.312	M6 AG
	
2mm	1.5g

10.020.062._	
	Materialcode
	02 Silikon
Halter Fitting	Gewinde Thread
130.103 130.109 130.194 130.238 130.317	M 6 AG 1/8" IG 1/4" AG 1/8" AG M5 AG
	
1.5mm	1.8g

10.020.074._	
	Materialcode
	01 NBR 02 Silikon
Halter Fitting	Gewinde Thread
130.033 130.104 130.134	1/8" AG M 6 AG M5 AG
	
2.5mm	1.0g

10.020.093._	
	Materialcode
	01 NBR 12 verstärktes Silikon
Halter Fitting	Gewinde Thread
130.109 130.238	1/8" IG 1/8" AG
	
2.5mm	1.0g



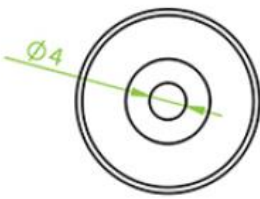
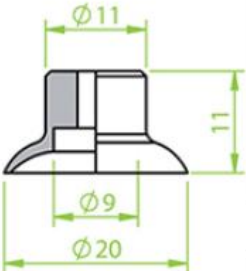
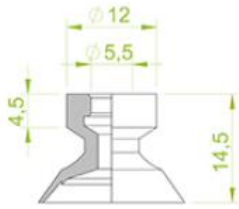


10.020.140._	
	Materialcode
	09 HNBR 05 Polyurethan 02 Silikon
Halter Fitting	Gewinde Thread
130.019 130.030 130.274 130.275	1/8" IG 1/8" AG 1/4" AG 1/4" IG
3mm	2.0g


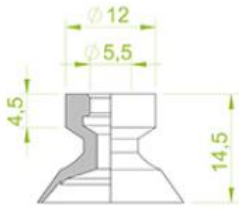
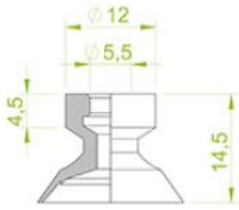


10.020.175._	
	Materialcode
	03 NR
Halter Fitting	Gewinde Thread
130.043 130.114 130.132	1/4" AG 1/8" IG 1/8" AG
4mm	3.0g

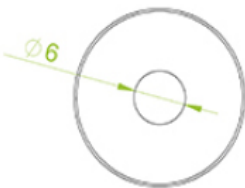
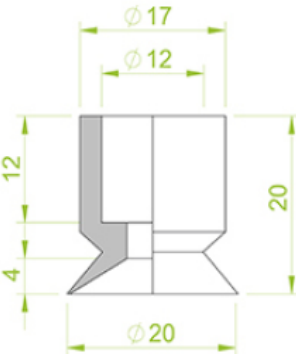
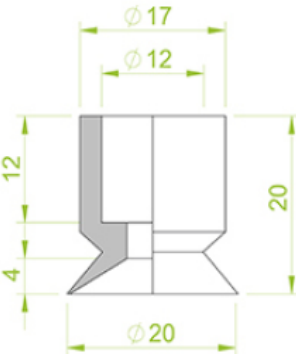


10.020.176._	
	Materialcode
	03 NR
Halter Fitting	Gewinde Thread
130.006 130.113 130.114	1/8" AG 1/4" AG 1/8" IG
3mm	1.2g

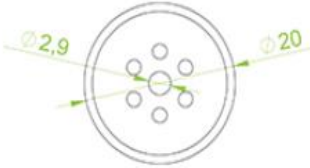
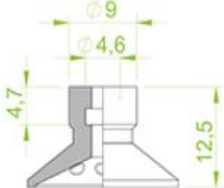
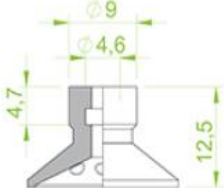


10.020.212._	
	Materialcode
	03 NR
Halter Fitting	Gewinde Thread
130.040 130.077 130.105	M8 AG 1/8" AG M 6 AG
1mm	1.0g




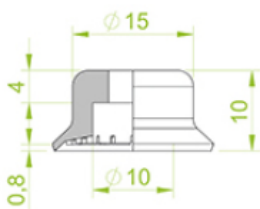


10.020.278._	
	Materialcode
	02 Silikon
	Halter Fitting
	130.317
	Gewinde Thread
	M5 AG
	
2.5mm	1.0g

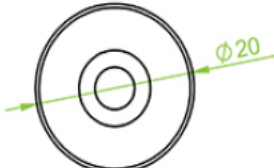
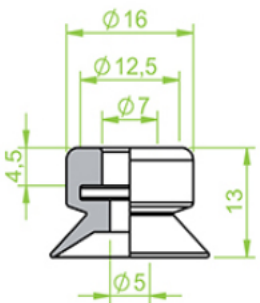


10.020.280._	
	Materialcode
	03 NR
	Halter Fitting
	130.037 130.085 130.086
	Gewinde Thread
	M 5 AG 1/8" AG 1/8" IG
	
mm	0.0g

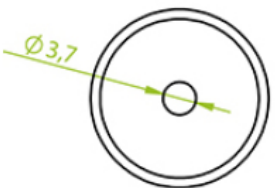
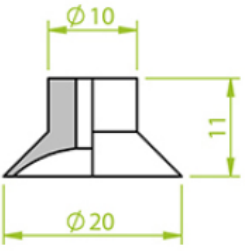


10.020.284._	
	Materialcode
	03 NR
	Halter Fitting
	130.097 130.098 130.181
	Gewinde Thread
	1/4" AG 1/4" IG 1/8" AG
	
3mm	2.0g

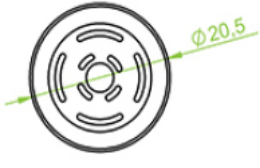
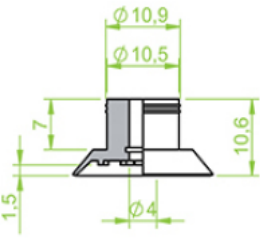


10.020.290._	
	Materialcode
	V Vinyl
	Halter Fitting
	130.104 130.134
	Gewinde Thread
	M 6 AG M5 AG
	
mm	0.0g



10.020.291._	
	Materialcode
	01 NBR
Halter Fitting	Gewinde Thread
130.311	M5 AG
130.312	M6 AG
	
	
mm	0.0g

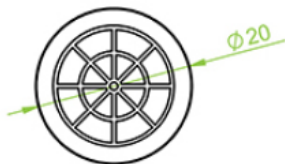
10.020.586._	
	Materialcode
	05 Polyurethan 02 Silikon
Halter Fitting	Gewinde Thread
130.604	M5 AG
130.605	1/8" AG
130.606	1/4" AG
	
	
3.5mm	2.0g

10.020.597._	
	Materialcode
	02 Silikon
Halter Fitting	Gewinde Thread
130.015	1/8" IG
	
	
mm	0.0g

10.020.613._	
	Materialcode
	03 NR 02 Silikon
Halter Fitting	Gewinde Thread
130.005	M5 IG
130.013	M5 AG
130.087	1/8" AG
	
	
2mm	0.7g



10.020.626._

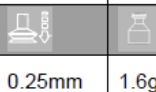
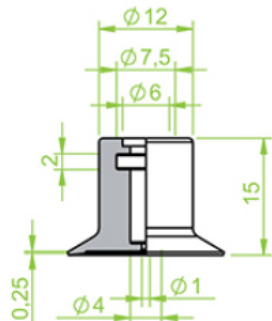


Materialcode

03 NR
02 Silikon

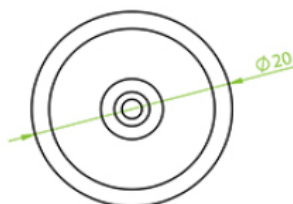
Halter Fitting Gewinde Thread

130.037 M 5 AG
130.085 1/8" AG
130.086 1/8" IG



0.25mm 1.6g

10.020.647._

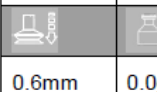
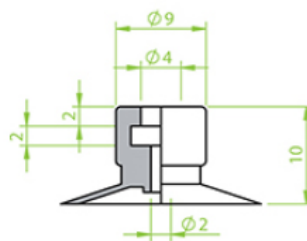


Materialcode

01 NBR
02 Silikon

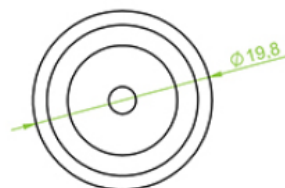
Halter Fitting Gewinde Thread

130.005 M5 IG
130.007 1/8" IG
130.009 1/8" AG
130.010 M5 AG



0.6mm 0.0g

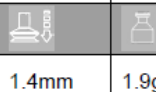
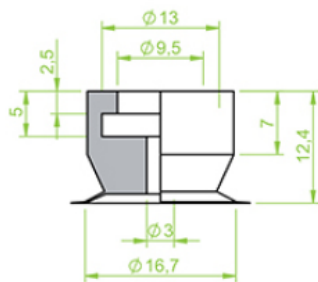
10.020.675._



Materialcode

02 Silikon

Halter Fitting Gewinde Thread



1.4mm 1.9g

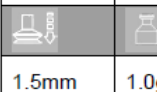
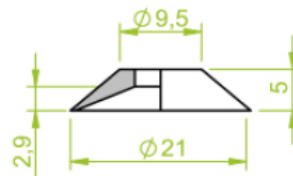
10.021.299._



Materialcode


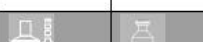
03 NR

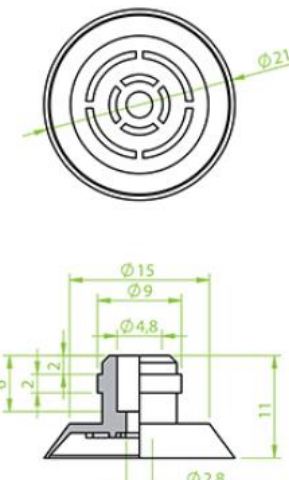

Halter Fitting Gewinde Thread

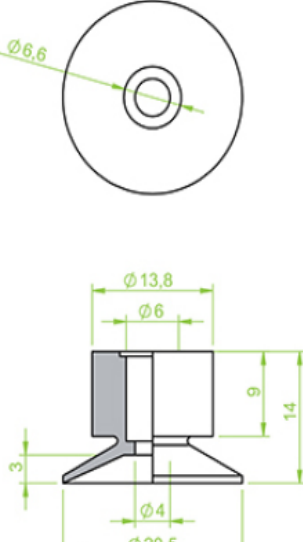



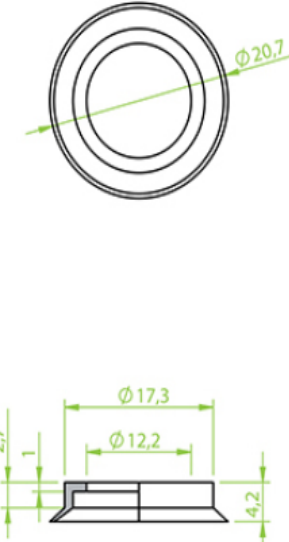
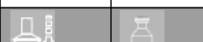
1.5mm 1.0g



10.021.302._		
	Materialcode	
	03 NR 02 Silikon	
	Halter Fitting	Gewinde Thread
		
1mm	1.0g	

10.021.601._		
	Materialcode	
	09 HNBR	
	Halter Fitting	Gewinde Thread
		
2.2mm	0.7g	

10.021.644._		
	Materialcode	
	V Vinyl	
	Halter Fitting	Gewinde Thread
	130.109 130.238	1/8" IG 1/8" AG
		
2mm	1.8g	

10.021.671._		
	Materialcode	
	01 NBR 12 verstärktes Silikon	
	Halter Fitting	Gewinde Thread
		
0.5mm	0.4g	



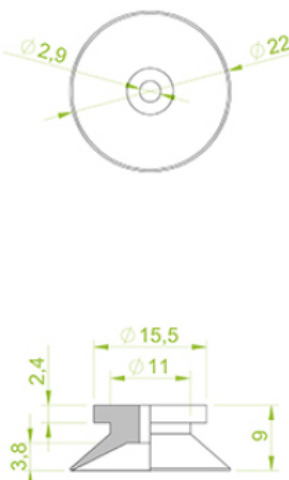


10.022.005._	
	Materialcode
	05 Polyurethan 02 Silikon
Halter Fitting	Gewinde Thread
130.135 130.291	1/8" AG 1/8" AG
0.5mm	1.0g

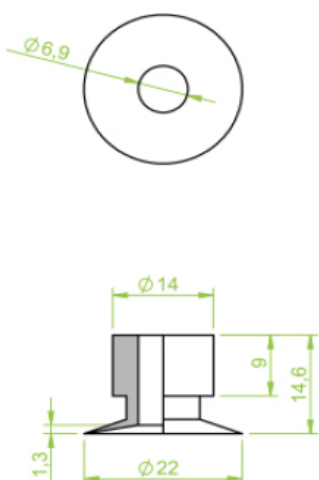


10.022.056._	
	Materialcode
	03 NR
Halter Fitting	Gewinde Thread
130.208	1/4" AG
5mm	2.6g

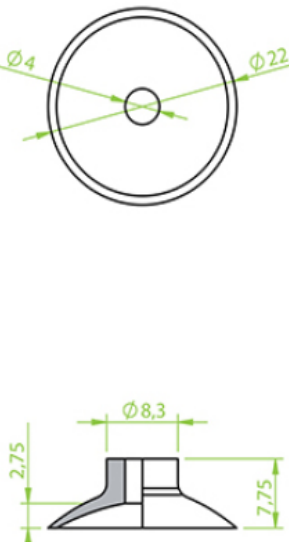


10.022.203._	
	Materialcode
	05 Polyurethan 02 Silikon
Halter Fitting	Gewinde Thread
130.104 130.134 130.242	M 6 AG M5 AG 1/8" AG
3mm	1.6g

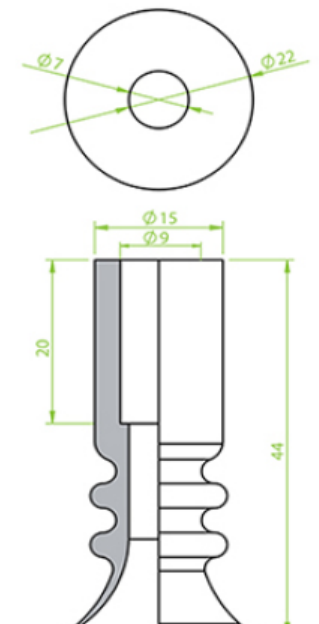


10.022.304._	
	Materialcode
	05 Polyurethan
Halter Fitting	Gewinde Thread
130.013 130.188	M5 AG 1/8" AG
mm	0.0g



10.022.307._	
	Materialcode
	V Vinyl
Halter Fitting	Gewinde Thread
	
mm	0.0g

10.022.623._	
	Materialcode
	V Vinyl
Halter Fitting	Gewinde Thread
	
3mm	1.6g

10.022.663._	
	Materialcode
	01 NBR
Halter Fitting	Gewinde Thread
	
mm	0.0g

10.022.684._	
	Materialcode
	01 NBR
Halter Fitting	Gewinde Thread
	
mm	0.0g



11.022.004._				
	Materialcode 01 NBR 05 Polyurethan			
	<table border="1"> <thead> <tr> <th>Halter Fitting</th> <th>Gewinde Thread</th> </tr> </thead> <tbody> <tr> <td></td> <td></td> </tr> </tbody> </table>	Halter Fitting	Gewinde Thread	
Halter Fitting	Gewinde Thread			
	<table border="1"> <tbody> <tr> <td>0.5mm</td> <td>4.5g</td> </tr> </tbody> </table>	0.5mm	4.5g	
0.5mm	4.5g			

11.022.020._				
	Materialcode 04 CR 01 NBR 02 Silikon			
	<table border="1"> <thead> <tr> <th>Halter Fitting</th> <th>Gewinde Thread</th> </tr> </thead> <tbody> <tr> <td></td> <td></td> </tr> </tbody> </table>	Halter Fitting	Gewinde Thread	
Halter Fitting	Gewinde Thread			
	<table border="1"> <tbody> <tr> <td>2.5mm</td> <td>0.0g</td> </tr> </tbody> </table>	2.5mm	0.0g	
2.5mm	0.0g			

10.023.315._								
	Materialcode V Vinyl							
	<table border="1"> <thead> <tr> <th>Halter Fitting</th> <th>Gewinde Thread</th> </tr> </thead> <tbody> <tr> <td>130.109</td> <td>1/8" IG</td> </tr> <tr> <td>130.194</td> <td>1/4" AG</td> </tr> <tr> <td>130.238</td> <td>1/8" AG</td> </tr> </tbody> </table>	Halter Fitting	Gewinde Thread	130.109	1/8" IG	130.194	1/4" AG	130.238
Halter Fitting	Gewinde Thread							
130.109	1/8" IG							
130.194	1/4" AG							
130.238	1/8" AG							
	<table border="1"> <tbody> <tr> <td>mm</td> <td>0.0g</td> </tr> </tbody> </table>	mm	0.0g					
mm	0.0g							

10.023.612._				
	Materialcode 02 Silikon			
	<table border="1"> <thead> <tr> <th>Halter Fitting</th> <th>Gewinde Thread</th> </tr> </thead> <tbody> <tr> <td></td> <td></td> </tr> </tbody> </table>	Halter Fitting	Gewinde Thread	
Halter Fitting	Gewinde Thread			
	<table border="1"> <tbody> <tr> <td>mm</td> <td>0.0g</td> </tr> </tbody> </table>	mm	0.0g	
mm	0.0g			



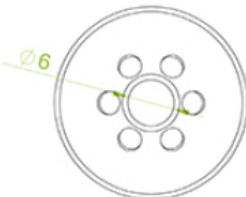
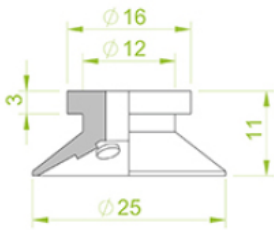


10.024.351._	
	Materialcode
	03 NR
Halter Fitting	Gewinde Thread
130.021	1/8" AG
mm	0.0g

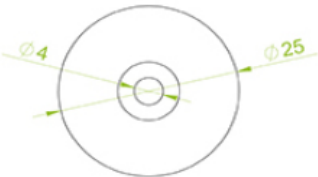
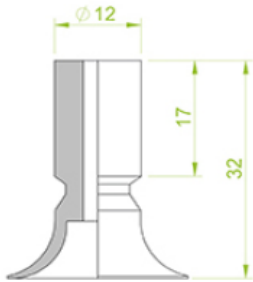


10.025.010._	
	Materialcode
	03 NR
Halter Fitting	Gewinde Thread
130.006 130.019 130.030	1/8" AG 1/8" IG 1/8" AG
mm	0.0g

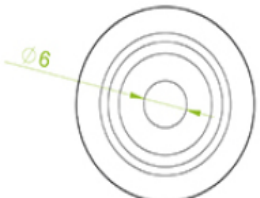
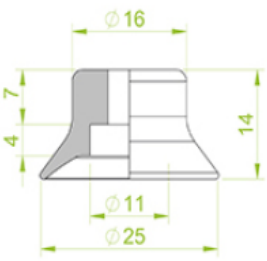


10.025.076._	
	Materialcode
	03 NR 02 Silikon
Halter Fitting	Gewinde Thread
130.039	M6 AG
2.5mm	1.0g

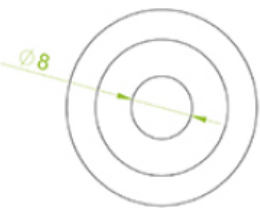
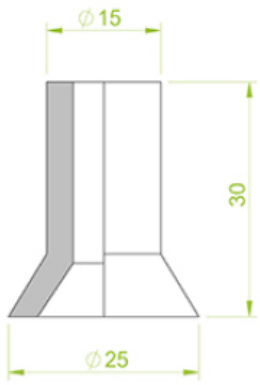


10.025.077._	
	Materialcode
	02 Silikon
Halter Fitting	Gewinde Thread
130.109 130.194 130.238	1/8" IG 1/4" AG 1/8" AG
4mm	2.2g



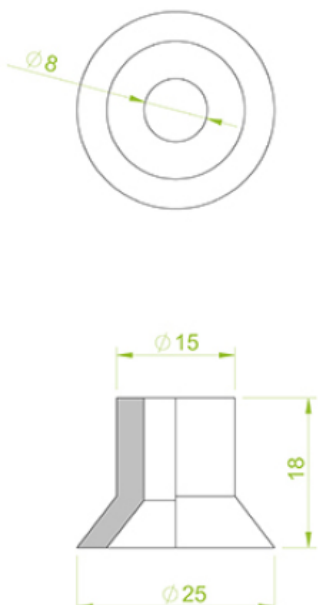


10.025.087._	
Materialcode	
03 NR	
Halter Fitting	Gewinde Thread
130.096	1/8" IG
	
	
mm	0.0g

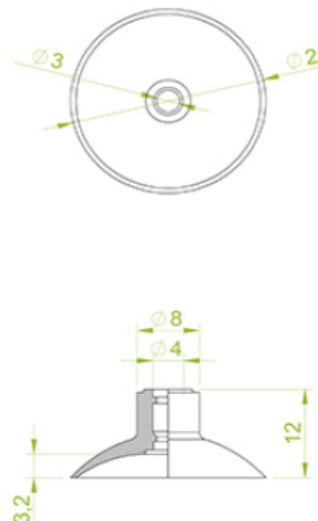


10.025.115._	
Materialcode	
03 NR	
Halter Fitting	Gewinde Thread
130.033 130.104 130.134	1/8" AG M 6 AG M5 AG
	
	
mm	0.0g

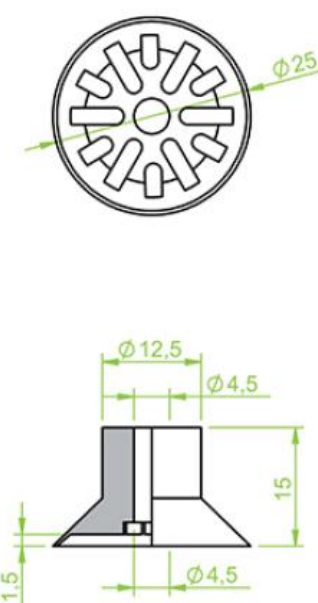


10.025.141._	
Materialcode	
05 Polyurethan 02 Silikon	
Halter Fitting	Gewinde Thread
130.019 130.030 130.274 130.275 130.312	1/8" IG 1/8" AG 1/4" AG 1/4" IG M6 AG
	
	
2.5mm	2.7g

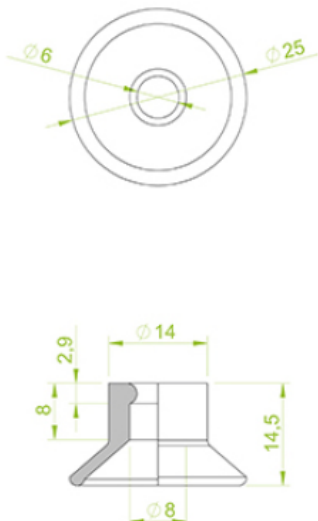


10.025.177._	
Materialcode	
03 NR	
Halter Fitting	Gewinde Thread
130.019 130.030 130.190 130.192	1/8" IG 1/8" AG 1/4" AG 1/4" IG
	
	
mm	0.0g



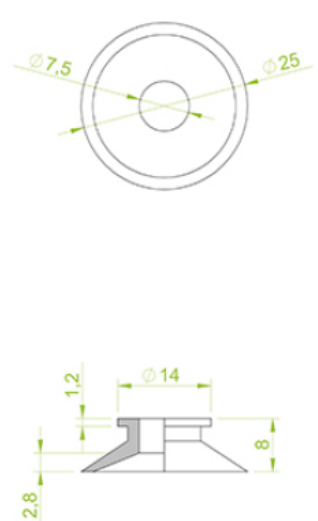


10.025.178._	
	Materialcode
	03 NR
Halter Fitting	Gewinde Thread
130.019	1/8" IG
130.030	1/8" AG
130.190	1/4" AG
130.192	1/4" IG
	
mm	0.0g

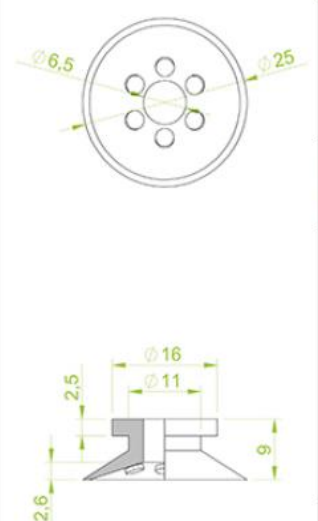


10.025.320._	
	Materialcode
	05 Polyurethan
Halter Fitting	Gewinde Thread
130.003	1/8" AG
130.013	M5 AG
130.104	M 6 AG
	
mm	0.0g

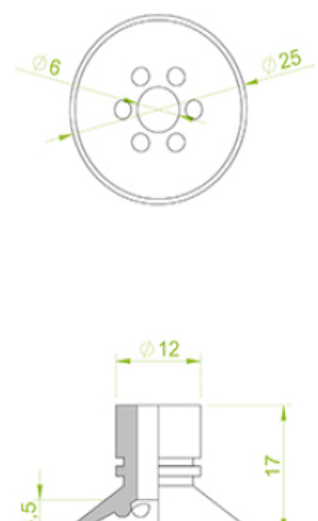


10.025.328._	
	Materialcode
	V Vinyl
Halter Fitting	Gewinde Thread
130.003	1/8" AG
130.013	M5 AG
130.015	1/8" IG
130.103	M 6 AG
130.194	1/4" AG
	
mm	0.0g

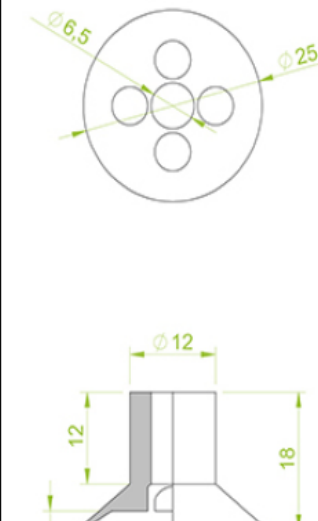


10.025.330._	
	Materialcode
	03 NR
Halter Fitting	Gewinde Thread
130.006	1/8" AG
	
5mm	1.4g



10.025.335._	
Materialcode	
03 NR	
Halter Fitting	Gewinde Thread
	
	
mm	0.0g

10.025.338._	
Materialcode	
03 NR	
Halter Fitting	Gewinde Thread
	
	
mm	0.0g

10.025.340._	
Materialcode	
V Vinyl	
Halter Fitting	Gewinde Thread
130.094 130.109 130.194 130.238	M5 AG 1/8" IG 1/4" AG 1/8" AG
	
	
mm	0.0g

10.025.346._	
Materialcode	
02 Silikon	
Halter Fitting	Gewinde Thread
130.114	1/8" IG
	
	
3.5mm	1.8g



10.025.347._	
	Materialcode
	03 NR
Halter Fitting	Gewinde Thread
130.177	M10 AG
130.190	1/4" AG
130.192	1/4" IG
mm	0.0g

10.025.348._	
	Materialcode
	03 NR
Halter Fitting	Gewinde Thread
130.177	M10 AG
130.190	1/4" AG
130.192	1/4" IG
mm	0.0g

10.025.349._	
	Materialcode
	V Vinyl
Halter Fitting	Gewinde Thread
130.177	M10 AG
130.190	1/4" AG
130.192	1/4" IG
130.244	M5 AG
mm	0.0g

10.025.350._	
	Materialcode
	02 Silikon
Halter Fitting	Gewinde Thread
130.043	1/4" AG
130.114	1/8" IG
5mm	2.4g



10.025.587._	
	Materialcode
	05 Polyurethan
Halter Fitting	Gewinde Thread
130.604	M5 AG
130.605	1/8" AG
130.606	1/4" AG
3mm	2.2g

10.025.596._	
	Materialcode
	03 NR 05 Polyurethan 02 Silikon
Halter Fitting	Gewinde Thread
130.609	1/4" AG
3mm	3.0g

10.025.650._	
	Materialcode
	01 NBR
Halter Fitting	Gewinde Thread
mm	0.0g

14.025.037._	
	Materialcode
	02 Silikon
Halter Fitting	Gewinde Thread
mm	0.0g



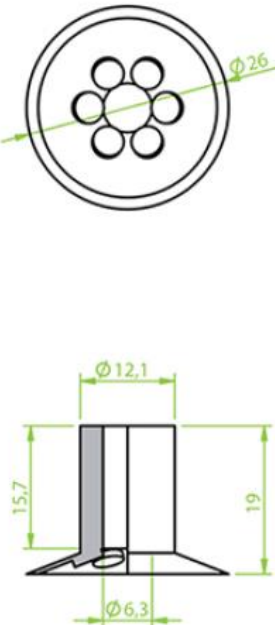


14.025.040._	
	Materialcode
	02 Silikon
Halter Fitting	Gewinde Thread
6mm	5.6g

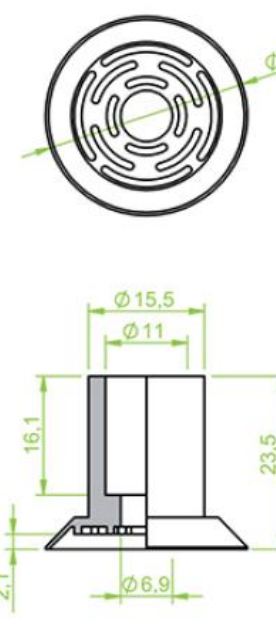


10.026.032._	
	Materialcode
	03 NR 02 Silikon
Halter Fitting	Gewinde Thread
130.003 130.013 130.033 130.087	1/8" AG M5 AG 1/8" AG 1/8" AG
1mm	1.0g

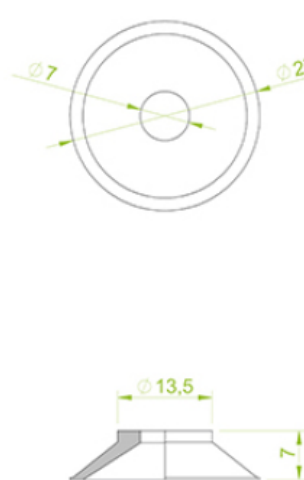


10.026.363._	
	Materialcode
	03 NR
Halter Fitting	Gewinde Thread
mm	0.0g

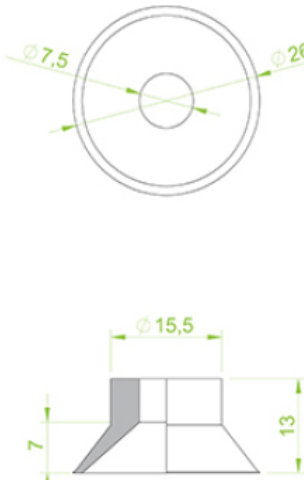


10.026.364._	
	Materialcode
	V Vinyl
Halter Fitting	Gewinde Thread
4mm	1.4g



10.026.366._	
	Materialcode
	02 Silikon
Halter Fitting	Gewinde Thread
	
2mm	3.0g

10.027.104._	
	Materialcode
	03 NR
Halter Fitting	Gewinde Thread
130.609	1/4" AG
	
mm	0.0g

10.027.213._	
	Materialcode
	02 Silikon
Halter Fitting	Gewinde Thread
130.039	M6 AG
	
4mm	1.3g

10.027.367._	
	Materialcode
	V Vinyl
Halter Fitting	Gewinde Thread
	
mm	0.0g



10.027.368._		Materialcode	
		03 NR	
		Halter Fitting	Gewinde Thread
		mm	0.0g

10.027.370._		Materialcode	
		03 NR	
		Halter Fitting	Gewinde Thread
		mm	0.0g

10.027.371._		Materialcode	
		03 NR	
		Halter Fitting	Gewinde Thread
		mm	0.0g

10.027.373._		Materialcode	
		V Vinyl	
		Halter Fitting	Gewinde Thread
		130.109	1/8" IG
		130.238	1/8" AG
		mm	0.0g



10.027.374._

		Materialcode	
		02 Silikon	
Halter Fitting	Gewinde Thread		
130.109	1/8" IG		
130.114	1/8" IG		
130.238	1/8" AG		
0.5mm	2.0g		

10.027.646._

		Materialcode	
		02 Silikon	
Halter Fitting	Gewinde Thread		
0mm	2.9g		

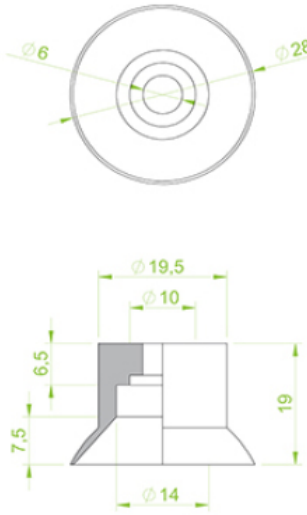


10.028.054._

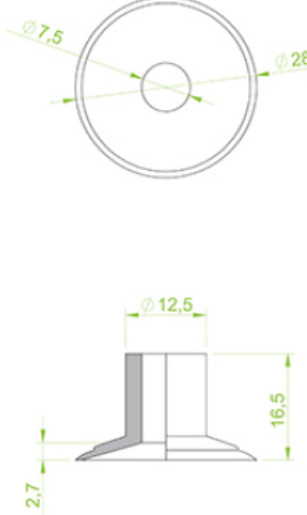


		Materialcode	
		01 NBR	
Halter Fitting	Gewinde Thread		
mm	0.0g		

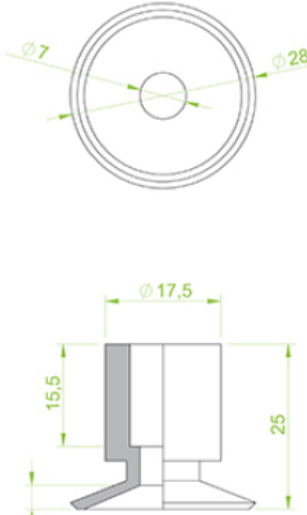


10.028.098._

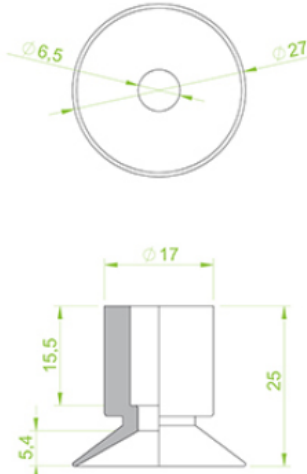


		Materialcode	
		04 CR 05 Polyurethan 02 Silikon	
Halter Fitting	Gewinde Thread		
130.094	M5 AG		
130.096	1/8" IG		
130.135	1/8" AG		
130.291	1/8" AG		
1mm	1.6g		



10.028.376._	
	Materialcode
	V Vinyl
Halter Fitting	Gewinde Thread
	
mm	0.0g

10.028.379._	
	Materialcode
	V Vinyl
Halter Fitting	Gewinde Thread
130.019 130.030	1/8" IG 1/8" AG
	
mm	0.0g

10.028.380._	
	Materialcode
	V Vinyl
Halter Fitting	Gewinde Thread
130.190 130.192 130.244	1/4" AG 1/4" IG M5 AG
	
mm	0.0g

10.028.381._	
	Materialcode
	V Vinyl
Halter Fitting	Gewinde Thread
130.190 130.192 130.244	1/4" AG 1/4" IG M5 AG
	
mm	0.0g



10.028.616._	
	Materialcode
	02 Silikon
Halter Fitting	Gewinde Thread
mm	0.0g

10.029.384._	
	Materialcode
	V Vinyl
Halter Fitting	Gewinde Thread
mm	0.0g

10.029.385._	
	Materialcode
	V Vinyl
Halter Fitting	Gewinde Thread
130.019 130.030	1/8" IG 1/8" AG
mm	0.0g

10.029.582._	
	Materialcode
	03 NR 02 Silikon
Halter Fitting	Gewinde Thread
130.094 130.291 130.504 130.519 130.520 130.599	M5 AG 1/8" AG 1/4" AG 1/8" IG 1/8" AG M5 AG
3.5mm	2.4g