



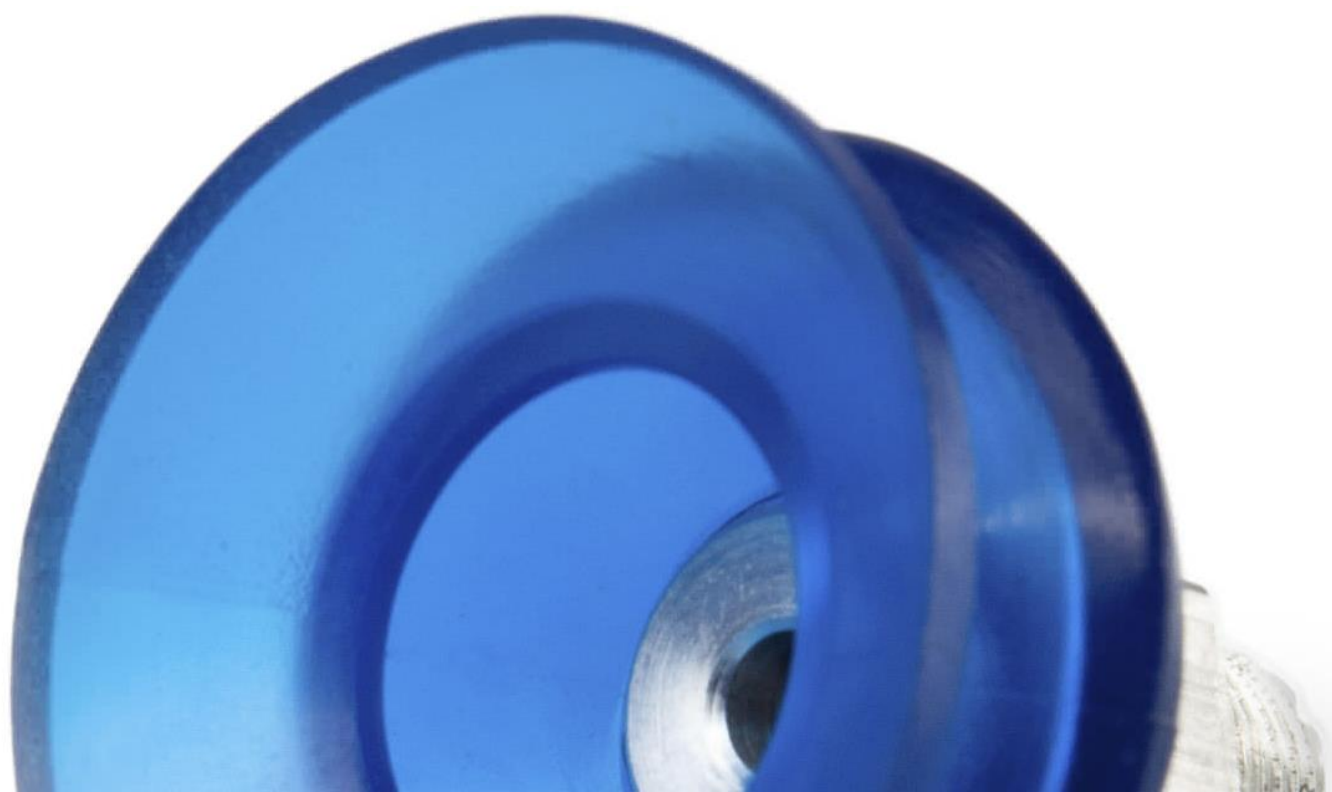
POMPE PER VUOTO

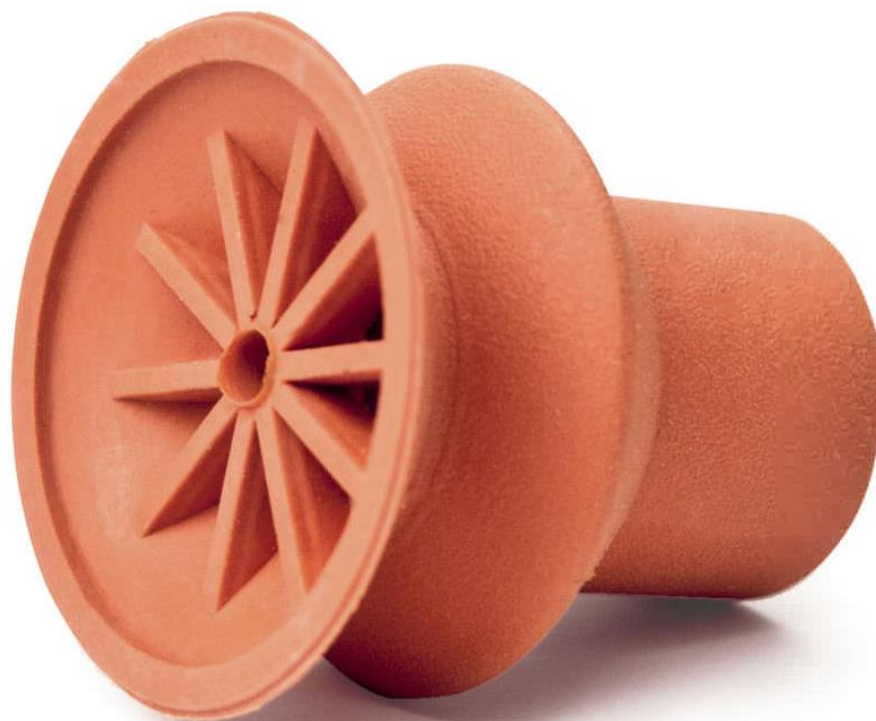
GRIPPERS

VENTOSE PIANE SERIE M

Ventose da 1 a 19,99

Flat Cups from 1 to 19,99





Oltre alle pompe per vuoto è nata l'esigenza di soddisfare le richieste dei clienti di fornitura di ventose.

Siamo in contatto con molti produttori così da ricambiare le ventose già da Voi utilizzate. Abbiamo anche una ns. linea di ventose, serie M, economiche e di elevate performance. Contattaci per dei preventivi o per un contatto con un nostro tecnico.

More than Vacuum Pumps, Customers ask more and more frequently to TBF many different type of grippers. TBF are in contact to many brand and manufacturer so we can offer the some grippers you already use (1:1). But now we also have our new line of grippers, M series, cheap and with high performance and durability. Contact us for any further information or for a quote.



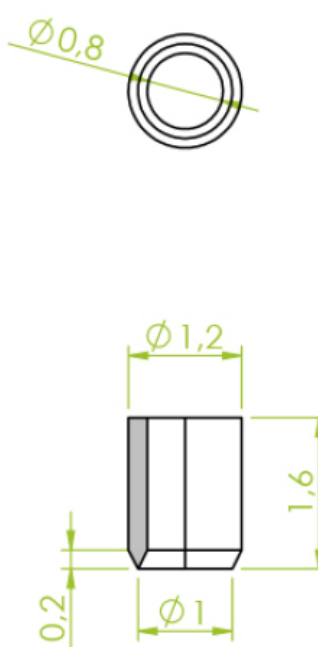




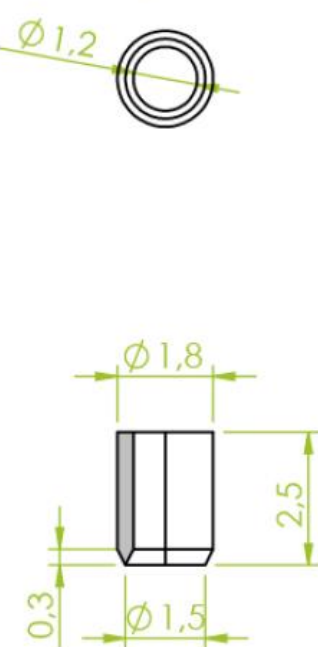


Disponiamo di un gran numero di materiali tra cui NBR, Silicone, Poliuretano, Para Naturale e molti altri. Oltre alla forma della ventosa è importante scegliere il materiale migliore per la Vs applicazione.

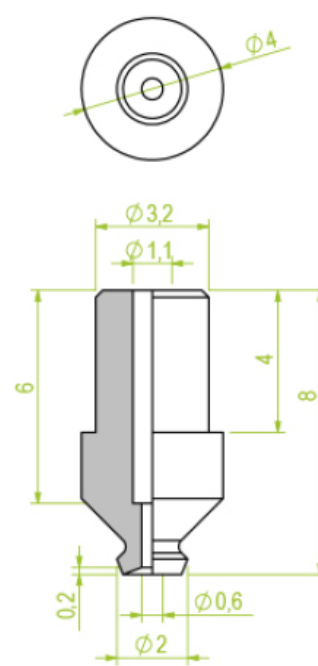


We have more and more materials for our grippers, for example: NBR, Silicone Rubber, Polyrethan, Natural Rubber and each others. It's very important choose the best material for your application as the shape.

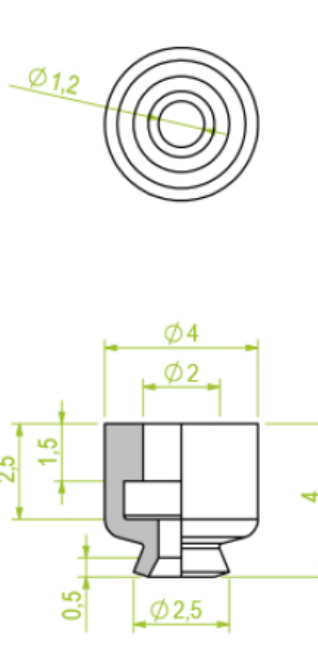






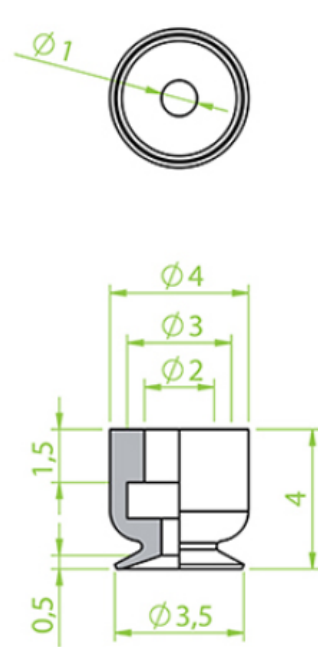


10.001.108._	
	Materialcode
	01 NBR
Halter Fitting	Gewinde Thread
130.026	M3 AG
	
mm	0.0g

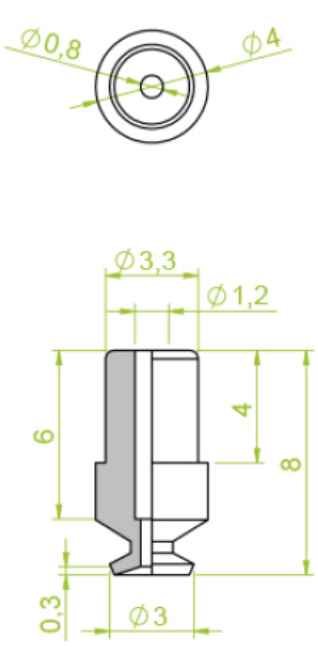


10.001.109._	
	Materialcode
	01 NBR
Halter Fitting	Gewinde Thread
130.011	M3 AG
	
mm	0.0g

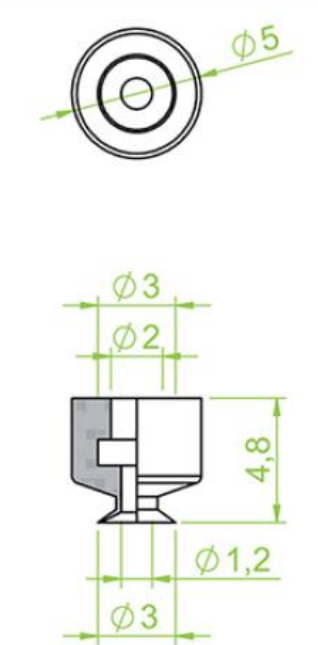


10.002.041._	
	Materialcode
	07 FKM 02 Silikon
Halter Fitting	Gewinde Thread
	
0.2mm	0.1g

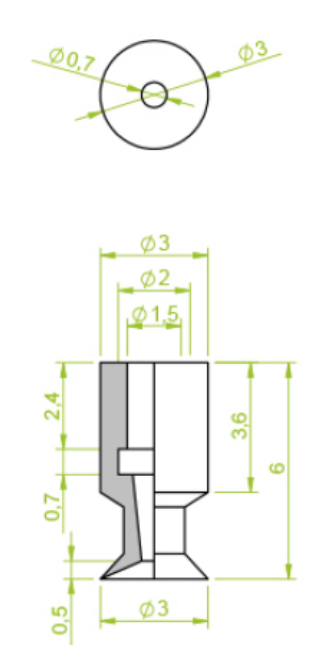


10.002.130._	
	Materialcode
	07 FKM 01 NBR 05 Polyurethan 02 Silikon
Halter Fitting	Gewinde Thread
130.014 130.300	M3 AG M5 AG
	
0.4mm	0.1g



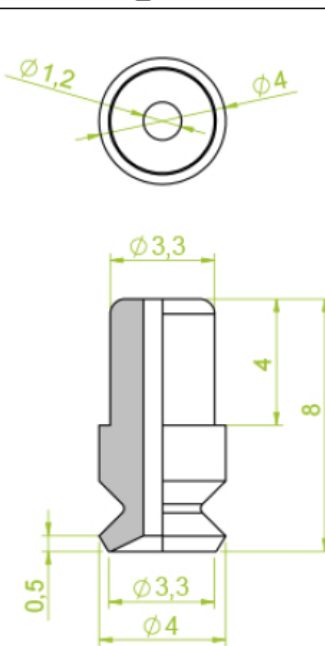


10.003.040._	
	Materialcode
	04 CR 07 FKM 09 HNBR 01 NBR
Halter Fitting	Gewinde Thread
130.014 130.300	M3 AG M5 AG
	
0.5mm	0.1g

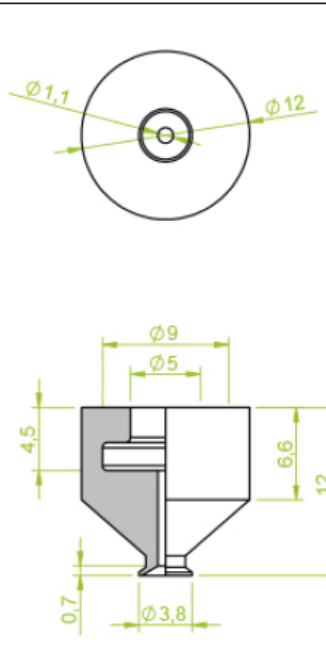


10.003.042._	
	Materialcode
	02 Silikon
Halter Fitting	Gewinde Thread
	
0.3mm	0.1g

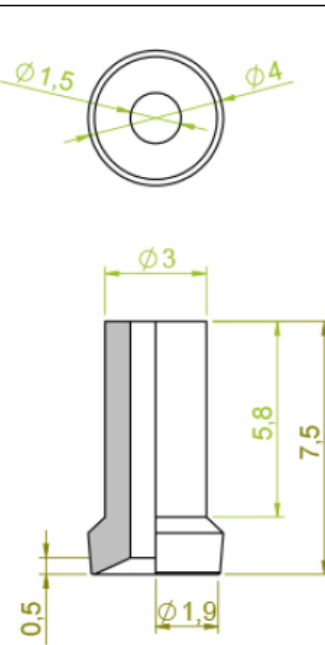


10.003.691._	
	Materialcode
	02 Silikon
Halter Fitting	Gewinde Thread
130.300	M5 AG
	
mm	0.0g

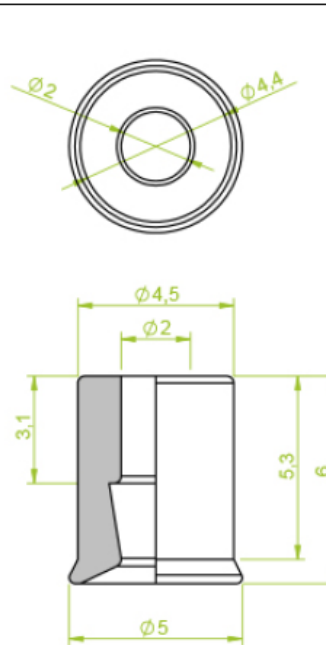


10.003.701._	
	Materialcode
	01 NBR
Halter Fitting	Gewinde Thread
130.025	M3 AG
	
mm	0.0g




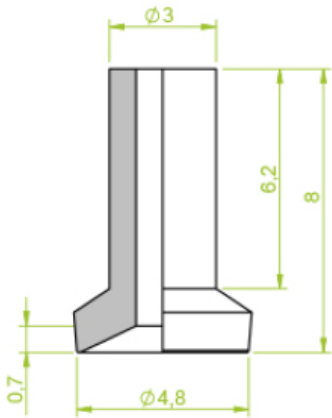

10.004.043._	
	Materialcode
	07 FKM 02 Silikon
Halter Fitting	Gewinde Thread
130.153	M5 AG
	
0.3mm	0.1g

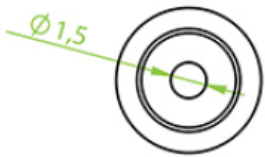
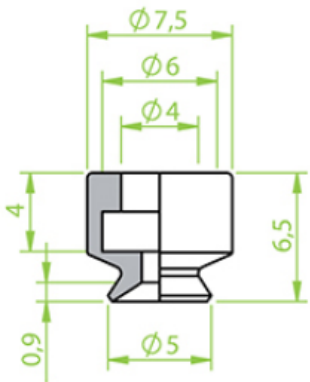

10.004.057._	
	Materialcode
	02 Silikon
Halter Fitting	Gewinde Thread
	
1mm	1.0g


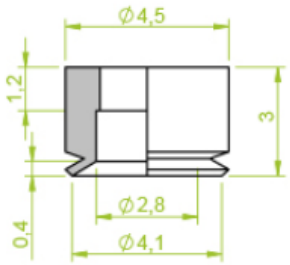

10.004.065._	
	Materialcode
	02 Silikon
Halter Fitting	Gewinde Thread
130.025 130.153	M3 AG M5 AG
	
0.3mm	0.1g


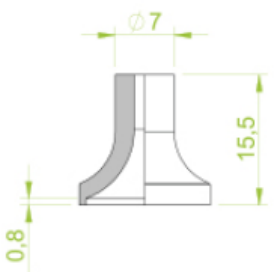

10.005.034._	
	Materialcode
	04 CR 02 Silikon
Halter Fitting	Gewinde Thread
130.591	M5 AG
	
0.5mm	0.1g



10.005.066._	
	Materialcode
	01 NBR
	Halter Fitting
	130.153
	Gewinde Thread
	M5 AG
mm	0.0g

10.005.131._	
	Materialcode
	05 Polyurethan 02 Silikon
	Halter Fitting
	130.005 130.007 130.009 130.010 130.301
	Gewinde Thread
	M5 IG 1/8" IG 1/8" AG M5 AG M5 AG
0.9mm	0.1g

10.005.145._	
	Materialcode
	02 Silikon
	Halter Fitting
	130.014
	Gewinde Thread
	M3 AG
0.5mm	0.1g

10.005.148._	
	Materialcode
	02 Silikon
	Halter Fitting
	130.014
	Gewinde Thread
	M3 AG
0.9mm	0.1g



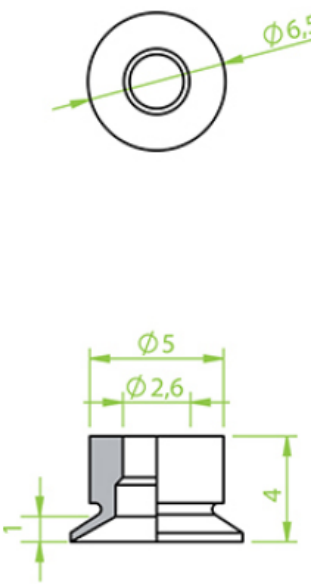


10.006.021._										
	Materialcode 09 HNBR 01 NBR 02 Silikon									
	<table border="1"> <thead> <tr> <th>Halter Fitting</th> <th>Gewinde Thread</th> </tr> </thead> <tbody> <tr> <td>130.005</td> <td>M5 IG</td> </tr> <tr> <td>130.007</td> <td>1/8" IG</td> </tr> <tr> <td>130.009</td> <td>1/8" AG</td> </tr> <tr> <td>130.010</td> <td>M5 AG</td> </tr> </tbody> </table>	Halter Fitting	Gewinde Thread	130.005	M5 IG	130.007	1/8" IG	130.009	1/8" AG	130.010
Halter Fitting	Gewinde Thread									
130.005	M5 IG									
130.007	1/8" IG									
130.009	1/8" AG									
130.010	M5 AG									
1mm	0.1g									

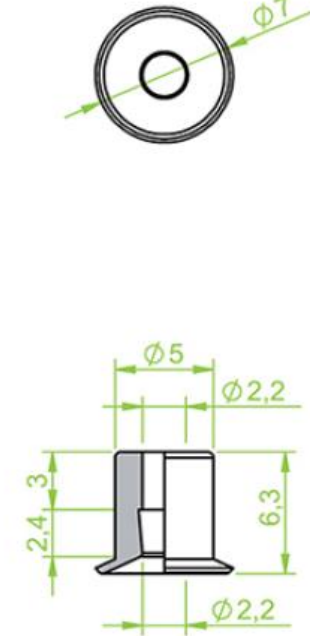


10.006.044._				
	Materialcode 07 FKM 02 Silikon			
	<table border="1"> <thead> <tr> <th>Halter Fitting</th> <th>Gewinde Thread</th> </tr> </thead> <tbody> <tr> <td></td> <td></td> </tr> </tbody> </table>	Halter Fitting	Gewinde Thread	
Halter Fitting	Gewinde Thread			
0.3mm	1.0g			

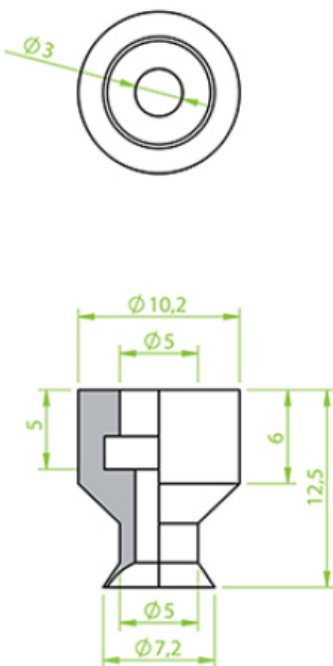


10.006.058._								
	Materialcode 02 Silikon							
	<table border="1"> <thead> <tr> <th>Halter Fitting</th> <th>Gewinde Thread</th> </tr> </thead> <tbody> <tr> <td>130.005</td> <td>M5 IG</td> </tr> <tr> <td>130.009</td> <td>1/8" AG</td> </tr> <tr> <td>130.200</td> <td>M5 AG</td> </tr> </tbody> </table>	Halter Fitting	Gewinde Thread	130.005	M5 IG	130.009	1/8" AG	130.200
Halter Fitting	Gewinde Thread							
130.005	M5 IG							
130.009	1/8" AG							
130.200	M5 AG							
0.7mm	1.0g							

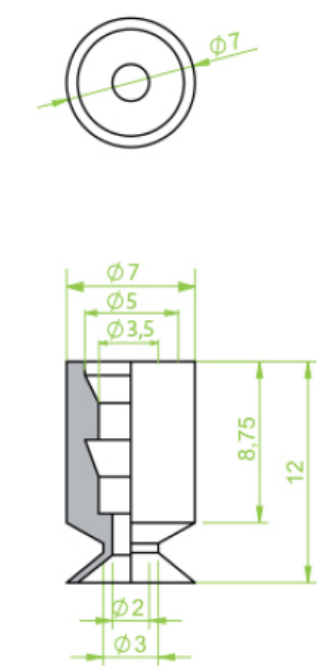


10.006.067._				
	Materialcode 02 Silikon			
	<table border="1"> <thead> <tr> <th>Halter Fitting</th> <th>Gewinde Thread</th> </tr> </thead> <tbody> <tr> <td>130.025</td> <td>M3 AG</td> </tr> </tbody> </table>	Halter Fitting	Gewinde Thread	130.025
Halter Fitting	Gewinde Thread			
130.025	M3 AG			
1.5mm	0.1g			



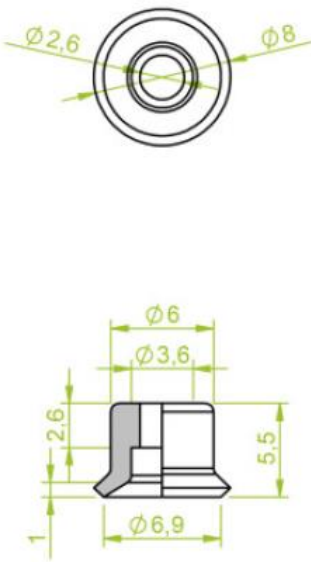


10.006.151._	
	Materialcode
	06 EPDM 02 Silikon
Halter Fitting	Gewinde Thread
130.111 130.300	M4 AG M5 AG
	
0.5mm	1.0g

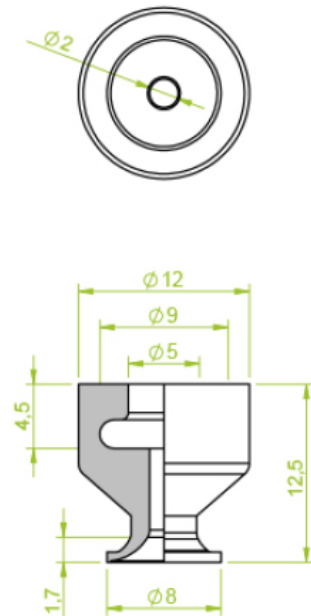


10.007.035._	
	Materialcode
	06 EPDM 09 HNBR 02 Silikon
Halter Fitting	Gewinde Thread
130.591	M5 AG
	
1mm	1.0g

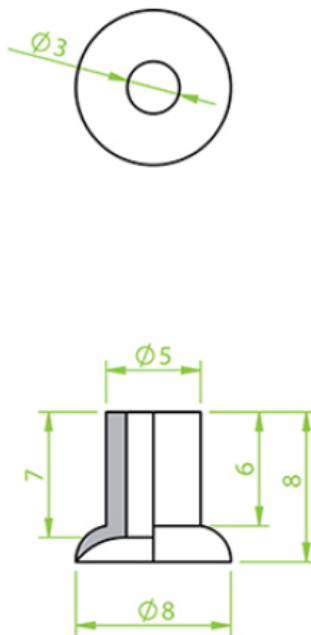


10.007.153._	
	Materialcode
	01 NBR 02 Silikon 12 verstärktes Silikon
Halter Fitting	Gewinde Thread
130.037 130.038 130.085 130.086	M 5 AG 1/4" IG 1/8" AG 1/8" IG
	
1.6mm	0.5g

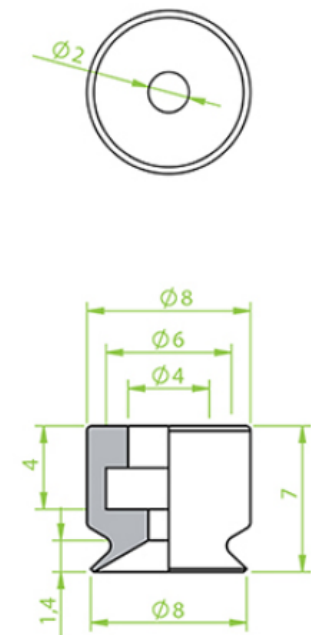


10.007.638._	
	Materialcode
	05 Polyurethan 02 Silikon 12 verstärktes Silikon
Halter Fitting	Gewinde Thread
130.024 130.033 130.104	M5 AG 1/8" AG M 6 AG
	
1mm	0.2g



10.008.045._	
	Materialcode 07 FKM 02 Silikon
	Halter Fitting
	
1mm	1.0g

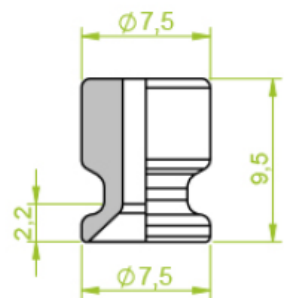
10.008.059._	
	Materialcode 02 Silikon
	Halter Fitting
130.005 130.037 130.085 130.086 130.200	M5 IG M 5 AG 1/8" AG 1/8" IG M5 AG
	
mm	0.0g

10.008.068._	
	Materialcode 03 NR 02 Silikon
	Halter Fitting
130.613	M5 AG
	
1mm	1.0g

10.008.136._	
	Materialcode 07 FKM 09 HNBR 01 NBR 05 Polyurethan
	Halter Fitting
130.005 130.007 130.009 130.010	M5 IG 1/8" IG 1/8" AG M5 AG
	
1.4mm	1.0g



10.008.154._



Materialcode

03 NR

Halter
Fitting

130.536

Gewinde
Thread

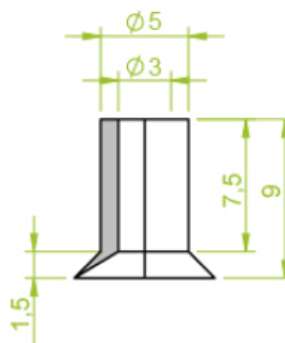
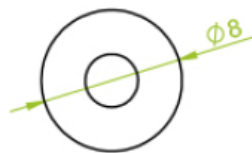
M5 AG



mm

0.0g

10.008.155._



Materialcode

01 NBR
02 Silikon

Halter
Fitting

130.613

Gewinde
Thread

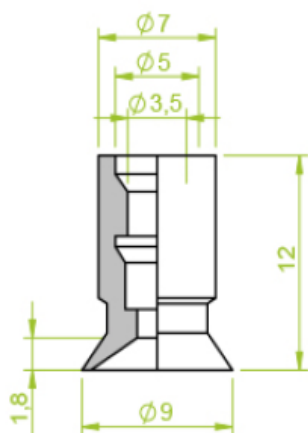
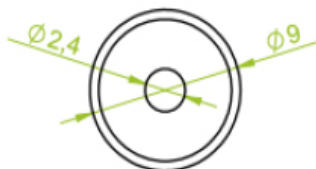
M5 AG



1mm

0.3g

10.008.164._



Materialcode

01 NBR
02 Silikon

Halter
Fitting

130.024
130.242

Gewinde
Thread

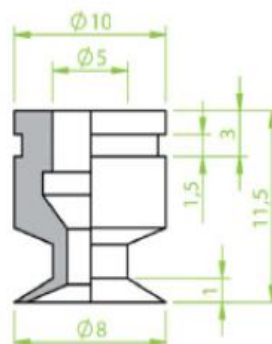
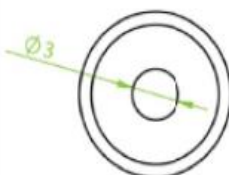
M5 AG
1/8" AG



0.8mm

1.0g

10.008.166._



Materialcode

09 HNBR
05 Polyurethan
02 Silikon
12 verstärktes Silikon

Halter
Fitting

130.005
130.010

Gewinde
Thread


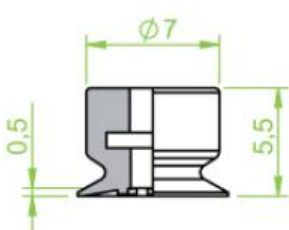


M5 IG
M5 AG

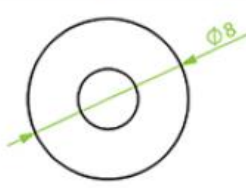
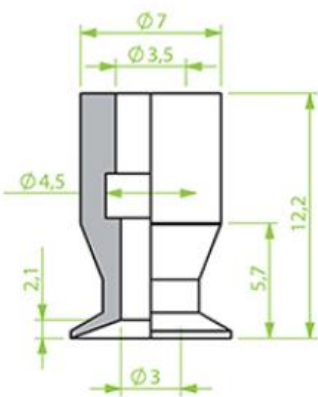





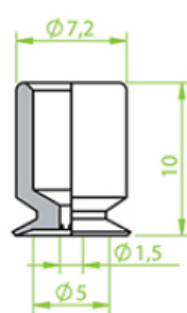


0.5mm

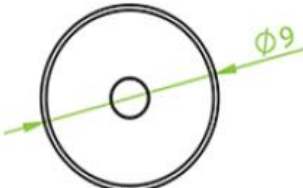
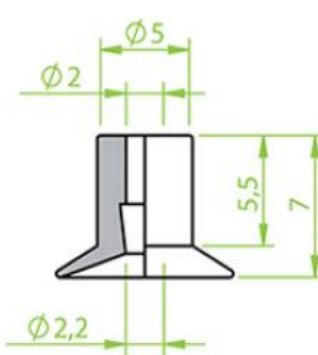


1.0g




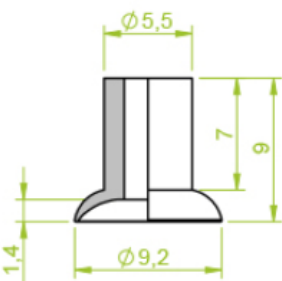

10.008.168._	
	Materialcode
	01 NBR
Halter Fitting	Gewinde Thread
130.111	M4 AG
	
	
mm	0.0g

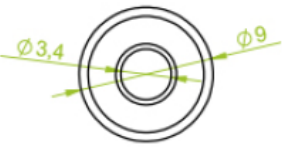
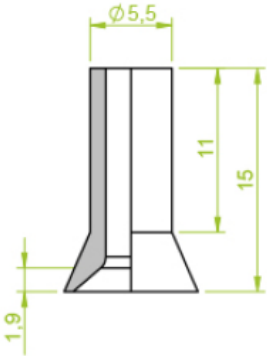

10.008.611._	
	Materialcode
	02 Silikon
Halter Fitting	Gewinde Thread
130.005 130.009 130.010	M5 IG 1/8" AG M5 AG
	
	
mm	0.0g

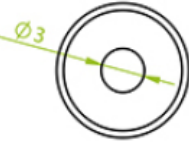
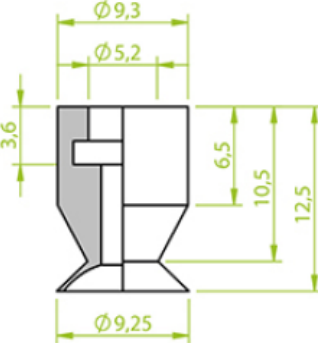

10.008.630._	
	Materialcode
	12 verstärktes Silikon
Halter Fitting	Gewinde Thread
130.003 130.013	1/8" AG M5 AG
	
	
mm	0.0g

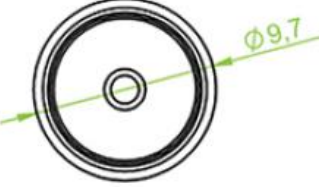
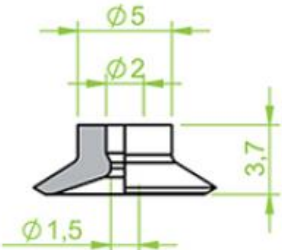

10.009.020._	
	Materialcode
	02 Silikon
Halter Fitting	Gewinde Thread
130.591	M5 AG
	
	
1.5mm	1.0g



10.009.169._	
	Materialcode
	V Vinyl
Halter Fitting	Gewinde Thread
130.536	M5 AG
	
mm	0.0g

10.009.170._	
	Materialcode
	03 NR
Halter Fitting	Gewinde Thread
130.033 130.104 130.134	1/8" AG M 6 AG M5 AG
	
1.5mm	1.0g

10.009.185._	
	Materialcode
	02 Silikon
Halter Fitting	Gewinde Thread
130.037 130.085 130.086	M 5 AG 1/8" AG 1/8" IG
	
1mm	0.3g

10.009.580._	
	Materialcode
	03 NR
Halter Fitting	Gewinde Thread
	
1mm	0.1g

**10.010.046._**

	Materialcode	
	02 Silikon	
Halter Fitting	Gewinde Thread	
130.005	M5 IG	
130.007	1/8" IG	
130.009	1/8" AG	
130.010	M5 AG	
1mm	1.0g	

10.010.060._

	Materialcode	
	02 Silikon	
Halter Fitting	Gewinde Thread	
130.005	M5 IG	
130.009	1/8" AG	
130.037	M 5 AG	
130.085	1/8" AG	
130.086	1/8" IG	
0.5mm	1.0g	

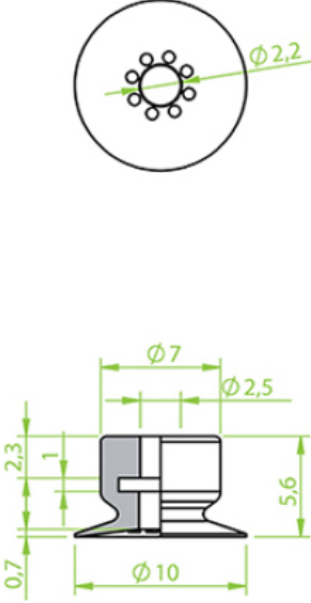
10.010.070._

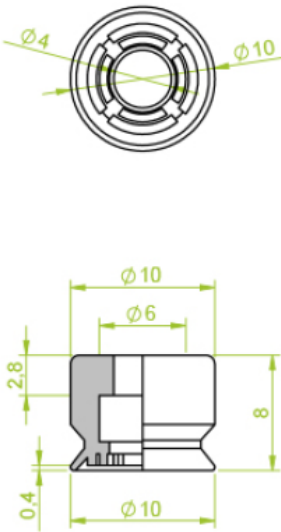
	Materialcode	
	03 NR 02 Silikon	
Halter Fitting	Gewinde Thread	
130.033	1/8" AG	
1mm	1.0g	

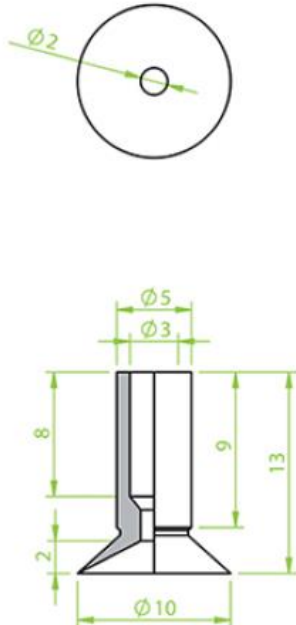
10.010.138._

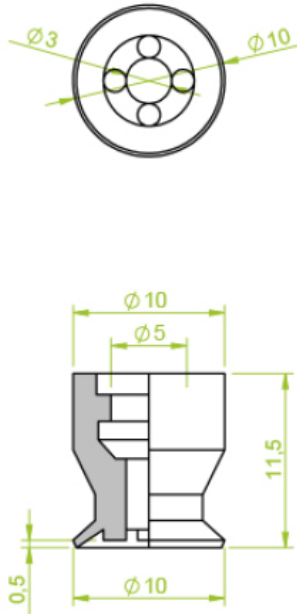
	Materialcode	
	07 FKM 09 HNBR 01 NBR 05 Polyurethan	
Halter Fitting	Gewinde Thread	
130.005	M5 IG	
130.007	1/8" IG	
130.009	1/8" AG	
130.010	M5 AG	
1.2mm	1.0g	



10.010.188._	
	Materialcode
	02 Silikon 12 verstärktes Silikon
Halter Fitting	Gewinde Thread
130.111	M4 AG
0.7mm	1.0g

10.010.189._	
	Materialcode
	01 NBR
Halter Fitting	Gewinde Thread
130.007 130.009 130.010	1/8" IG 1/8" AG M5 AG
mm	0.0g

10.010.191._	
	Materialcode
	02 Silikon
Halter Fitting	Gewinde Thread
1mm	1.0g

10.010.192._	
	Materialcode
	02 Silikon
Halter Fitting	Gewinde Thread
130.094 130.095 130.096	M5 AG 1/8" AG 1/8" IG
1.5mm	1.0g



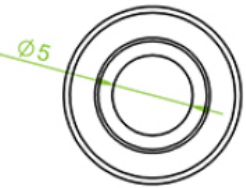
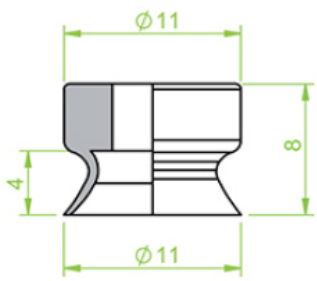
10.010.194._	
	Materialcode
	02 Silikon
Halter Fitting	Gewinde Thread
130.005	M5 IG
130.009	1/8" AG
mm	0.0g

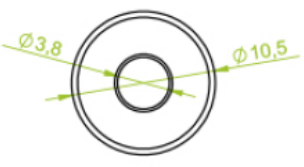
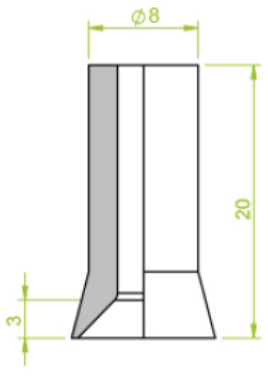
10.010.584._	
	Materialcode
	05 Polyurethan 02 Silikon
Halter Fitting	Gewinde Thread
130.604	M5 AG
130.605	1/8" AG
130.606	1/4" AG
1.5mm	1.7g


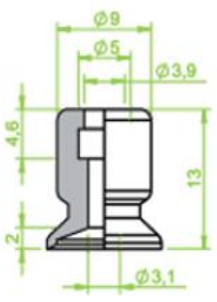
10.011.036._	
	Materialcode
	04 CR
Halter Fitting	Gewinde Thread
130.005	M5 IG
130.104	M 6 AG
130.134	M5 AG
1mm	1.0g

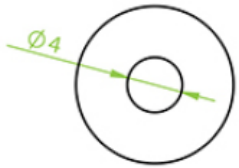
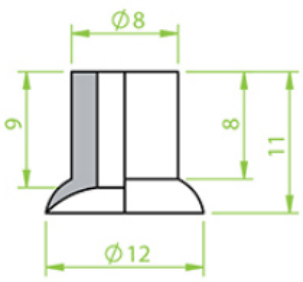
10.011.195._	
	Materialcode
	V Vinyl
Halter Fitting	Gewinde Thread
130.001	M5 AG
130.025	M3 AG
mm	0.0g



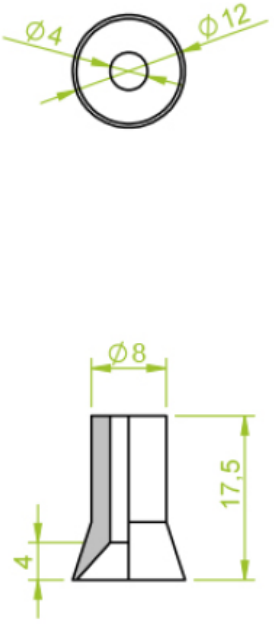


10.011.196._										
	Materialcode 07 FKM 09 HNBR 05 Polyurethan 02 Silikon									
	<table border="1"> <thead> <tr> <th>Halter Fitting</th> <th>Gewinde Thread</th> </tr> </thead> <tbody> <tr> <td>130.005</td> <td>M5 IG</td> </tr> <tr> <td>130.007</td> <td>1/8" IG</td> </tr> <tr> <td>130.009</td> <td>1/8" AG</td> </tr> <tr> <td>130.010</td> <td>M5 AG</td> </tr> </tbody> </table>	Halter Fitting	Gewinde Thread	130.005	M5 IG	130.007	1/8" IG	130.009	1/8" AG	130.010
Halter Fitting	Gewinde Thread									
130.005	M5 IG									
130.007	1/8" IG									
130.009	1/8" AG									
130.010	M5 AG									
	<table border="1"> <thead> <tr> <th>Halter Fitting</th> <th>Gewinde Thread</th> </tr> </thead> <tbody> <tr> <td>2.5mm</td> <td>1.0g</td> </tr> </tbody> </table>	Halter Fitting	Gewinde Thread	2.5mm	1.0g					
Halter Fitting	Gewinde Thread									
2.5mm	1.0g									

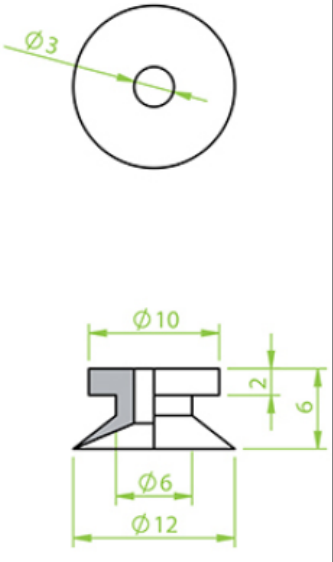


10.011.197._						
	Materialcode V Vinyl					
	<table border="1"> <thead> <tr> <th>Halter Fitting</th> <th>Gewinde Thread</th> </tr> </thead> <tbody> <tr> <td>130.024</td> <td>M5 AG</td> </tr> <tr> <td>130.033</td> <td>1/8" AG</td> </tr> </tbody> </table>	Halter Fitting	Gewinde Thread	130.024	M5 AG	130.033
Halter Fitting	Gewinde Thread					
130.024	M5 AG					
130.033	1/8" AG					
	<table border="1"> <thead> <tr> <th>Halter Fitting</th> <th>Gewinde Thread</th> </tr> </thead> <tbody> <tr> <td>mm</td> <td>0.0g</td> </tr> </tbody> </table>	Halter Fitting	Gewinde Thread	mm	0.0g	
Halter Fitting	Gewinde Thread					
mm	0.0g					

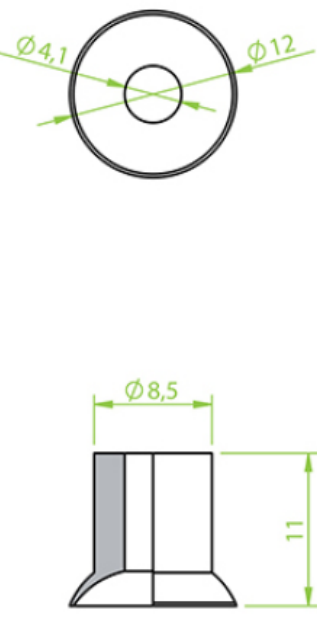


10.011.198._								
	Materialcode V Vinyl							
	<table border="1"> <thead> <tr> <th>Halter Fitting</th> <th>Gewinde Thread</th> </tr> </thead> <tbody> <tr> <td>130.005</td> <td>M5 IG</td> </tr> <tr> <td>130.024</td> <td>M5 AG</td> </tr> <tr> <td>130.033</td> <td>1/8" AG</td> </tr> </tbody> </table>	Halter Fitting	Gewinde Thread	130.005	M5 IG	130.024	M5 AG	130.033
Halter Fitting	Gewinde Thread							
130.005	M5 IG							
130.024	M5 AG							
130.033	1/8" AG							
	<table border="1"> <thead> <tr> <th>Halter Fitting</th> <th>Gewinde Thread</th> </tr> </thead> <tbody> <tr> <td>mm</td> <td>0.0g</td> </tr> </tbody> </table>	Halter Fitting	Gewinde Thread	mm	0.0g			
Halter Fitting	Gewinde Thread							
mm	0.0g							

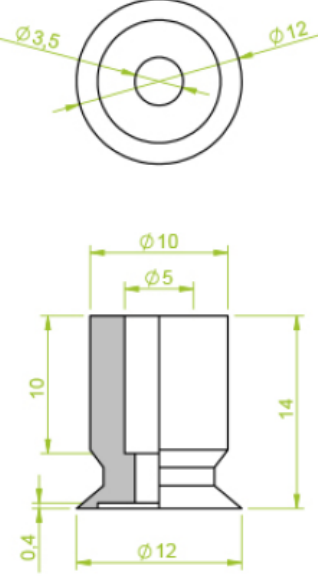


10.012.071._						
	Materialcode 05 Polyurethan 02 Silikon					
	<table border="1"> <thead> <tr> <th>Halter Fitting</th> <th>Gewinde Thread</th> </tr> </thead> <tbody> <tr> <td>130.024</td> <td>M5 AG</td> </tr> <tr> <td>130.033</td> <td>1/8" AG</td> </tr> </tbody> </table>	Halter Fitting	Gewinde Thread	130.024	M5 AG	130.033
Halter Fitting	Gewinde Thread					
130.024	M5 AG					
130.033	1/8" AG					
	<table border="1"> <thead> <tr> <th>Halter Fitting</th> <th>Gewinde Thread</th> </tr> </thead> <tbody> <tr> <td>1.5mm</td> <td>1.0g</td> </tr> </tbody> </table>	Halter Fitting	Gewinde Thread	1.5mm	1.0g	
Halter Fitting	Gewinde Thread					
1.5mm	1.0g					



10.012.171._	
	Materialcode
	03 NR
Halter Fitting	Gewinde Thread
130.087	1/8" AG
	
2.5mm	1.0g

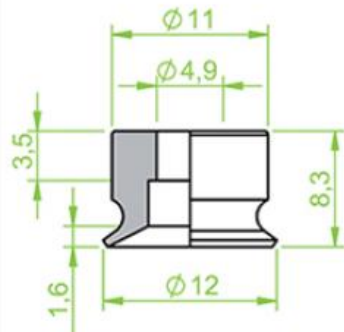
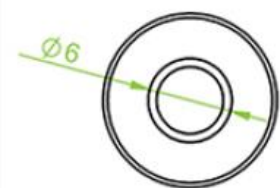
10.012.199._	
	Materialcode
	03 NR
Halter Fitting	Gewinde Thread
	
mm	0.0g

10.012.200._	
	Materialcode
	02 Silikon
Halter Fitting	Gewinde Thread
130.005 130.024 130.033	M5 IG M5 AG 1/8" AG
	
mm	0.0g

10.012.204._	
	Materialcode
	02 Silikon
Halter Fitting	Gewinde Thread
130.013 130.109 130.194 130.238	M5 AG 1/8" IG 1/4" AG 1/8" AG
	
0.4mm	1.0g



10.012.205._



Materialcode

05 Polyurethan
02 Silikon

Halter
Fitting

Gewinde
Thread

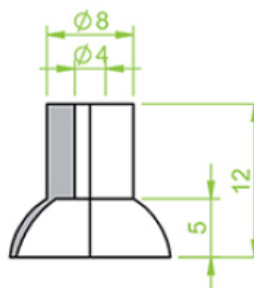
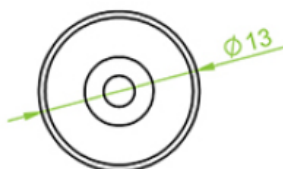
130.095 1/8" AG
130.096 1/8" IG



1mm

1.0g

10.013.352._



Materialcode

02 Silikon

Halter
Fitting

Gewinde
Thread

130.005 M5 IG
130.010 M5 AG
130.033 1/8" AG



mm

0.0g

10.014.211._



Materialcode

05 Polyurethan

Halter
Fitting

Gewinde
Thread

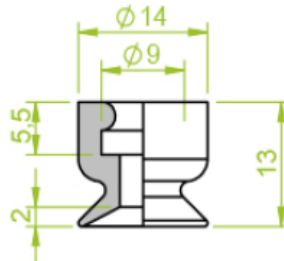
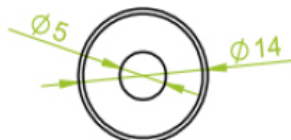
130.040 M8 AG
130.077 1/8" AG
130.105 M 6 AG



mm

0.0g

10.014.216._



Materialcode

03 NR

Halter
Fitting

Gewinde
Thread

130.085 1/8" AG
130.086 1/8" IG



mm

0.0g



10.014.686._	
Materialcode	
01 NBR	
Halter Fitting	Gewinde Thread
130.132 130.208	1/8" AG 1/4" AG
mm	0.0g

10.015.031._	
Materialcode	
03 NR 02 Silikon	
Halter Fitting	Gewinde Thread
130.015 130.087 130.104 130.134	1/8" IG 1/8" AG M 6 AG M5 AG
1mm	0.0g

10.015.047._	
Materialcode	
05 Polyurethan 02 Silikon	
Halter Fitting	Gewinde Thread
130.003 130.005 130.009 130.010	1/8" AG M5 IG 1/8" AG M5 AG
1.5mm	1.0g

10.015.061._	
Materialcode	
02 Silikon	
Halter Fitting	Gewinde Thread
130.200	M5 AG
2mm	1.0g





10.015.073._	
	Materialcode
	01 NBR 03 NR 02 Silikon 12 verstärktes Silikon
Halter Fitting	Gewinde Thread
130.015 130.033 130.104 130.134	1/8" IG 1/8" AG M 6 AG M5 AG
2mm	0.6g

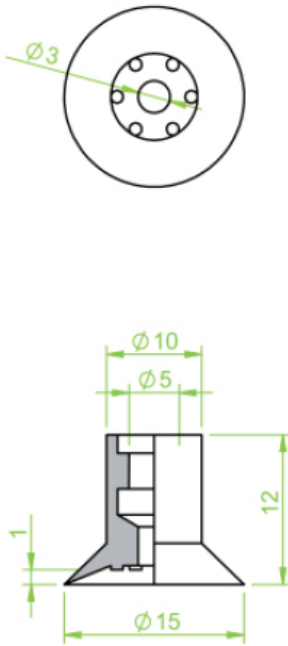
10.015.114._	
	Materialcode
	03 NR
Halter Fitting	Gewinde Thread
130.015 130.033 130.104 130.134	1/8" IG 1/8" AG M 6 AG M5 AG
6mm	1.8g



10.015.139._	
	Materialcode
	07 FKM 05 Polyurethan 02 Silikon
Halter Fitting	Gewinde Thread
130.005 130.010 130.021	M5 IG M5 AG 1/8" AG
2mm	1.0g

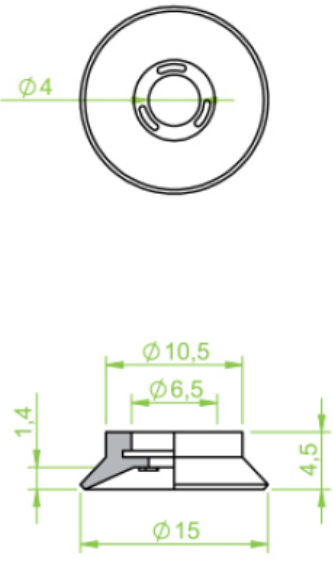
10.015.222._	
	Materialcode
	03 NR
Halter Fitting	Gewinde Thread
130.003 130.005 130.013 130.015 130.103	1/8" AG M5 IG M5 AG 1/8" IG M 6 AG
3mm	1.4g





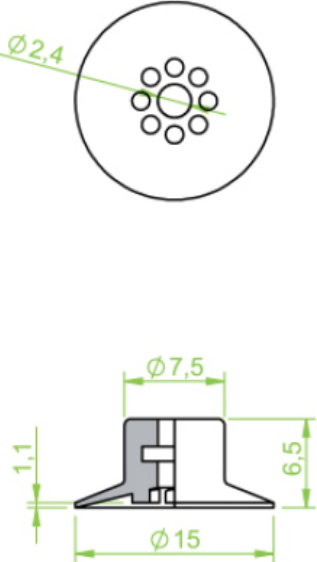
10.015.225._	
Materialcode	
01 NBR 02 Silikon	
Halter Fitting	Gewinde Thread
130.094	M5 AG
130.095	1/8" AG
130.096	1/8" IG
	
1mm	0.82g





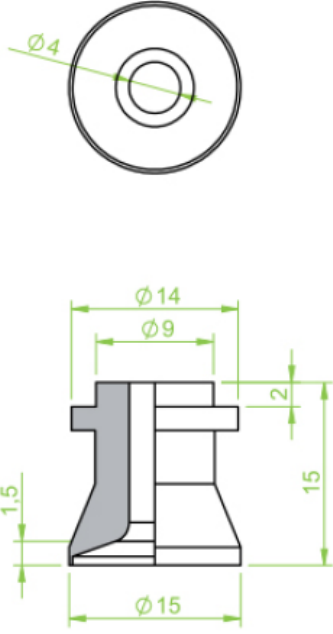
10.015.227._	
Materialcode	
01 NBR	
Halter Fitting	Gewinde Thread
	
mm	0.0g



10.015.228._	
Materialcode	
02 Silikon 12 verstärktes Silikon	
Halter Fitting	Gewinde Thread
130.111	M4 AG
130.591	M5 AG
	
1.1mm	1.0g



10.015.232._	
Materialcode	
03 NR	
Halter Fitting	Gewinde Thread
	
1.5mm	0.4g





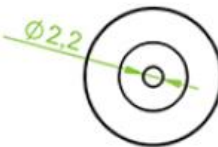
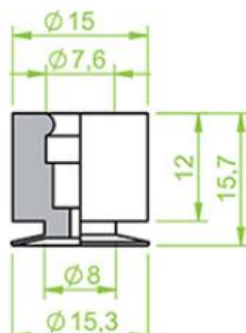

10.015.585._								
	Materialcode 05 Polyurethan							
	<table border="1"> <thead> <tr> <th>Halter Fitting</th> <th>Gewinde Thread</th> </tr> </thead> <tbody> <tr> <td>130.604</td> <td>M5 AG</td> </tr> <tr> <td>130.605</td> <td>1/8" AG</td> </tr> <tr> <td>130.606</td> <td>1/4" AG</td> </tr> </tbody> </table>	Halter Fitting	Gewinde Thread	130.604	M5 AG	130.605	1/8" AG	130.606
Halter Fitting	Gewinde Thread							
130.604	M5 AG							
130.605	1/8" AG							
130.606	1/4" AG							
3.5mm	1.9g							


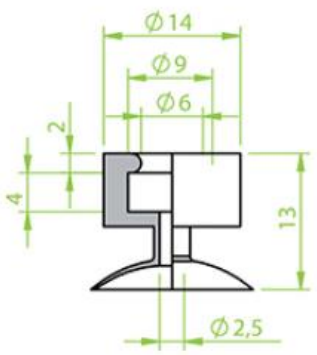

10.015.604._				
	Materialcode 02 Silikon			
	<table border="1"> <thead> <tr> <th>Halter Fitting</th> <th>Gewinde Thread</th> </tr> </thead> <tbody> <tr> <td>130.014</td> <td>M3 AG</td> </tr> </tbody> </table>	Halter Fitting	Gewinde Thread	130.014
Halter Fitting	Gewinde Thread			
130.014	M3 AG			
mm	0.0g			

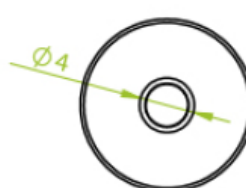
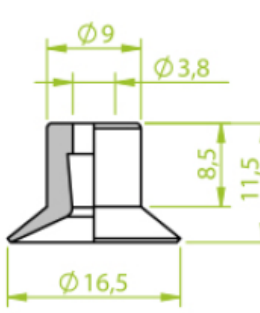
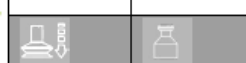
10.015.693._										
	Materialcode 02 Silikon									
	<table border="1"> <thead> <tr> <th>Halter Fitting</th> <th>Gewinde Thread</th> </tr> </thead> <tbody> <tr> <td>130.005</td> <td>M5 IG</td> </tr> <tr> <td>130.007</td> <td>1/8" IG</td> </tr> <tr> <td>130.009</td> <td>1/8" AG</td> </tr> <tr> <td>130.010</td> <td>M5 AG</td> </tr> </tbody> </table>	Halter Fitting	Gewinde Thread	130.005	M5 IG	130.007	1/8" IG	130.009	1/8" AG	130.010
Halter Fitting	Gewinde Thread									
130.005	M5 IG									
130.007	1/8" IG									
130.009	1/8" AG									
130.010	M5 AG									
mm	0.0g									


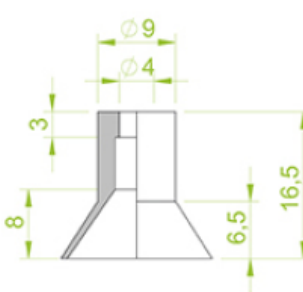

14.015.043._				
	Materialcode 05 Polyurethan 02 Silikon			
	<table border="1"> <thead> <tr> <th>Halter Fitting</th> <th>Gewinde Thread</th> </tr> </thead> <tbody> <tr> <td></td> <td></td> </tr> </tbody> </table>	Halter Fitting	Gewinde Thread	
Halter Fitting	Gewinde Thread			
1.2mm	3.8g			



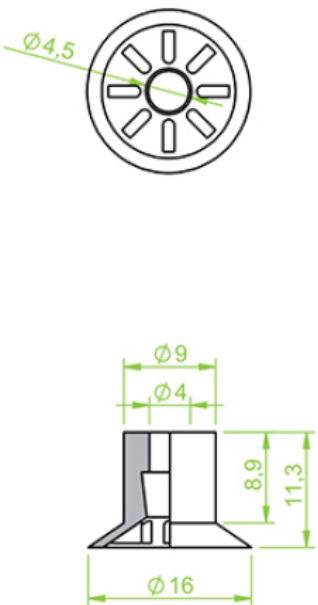


10.016.007._	
	Materialcode
	03 NR
Halter Fitting	Gewinde Thread
130.085	1/8" AG
130.086	1/8" IG
	
1mm	1.9g

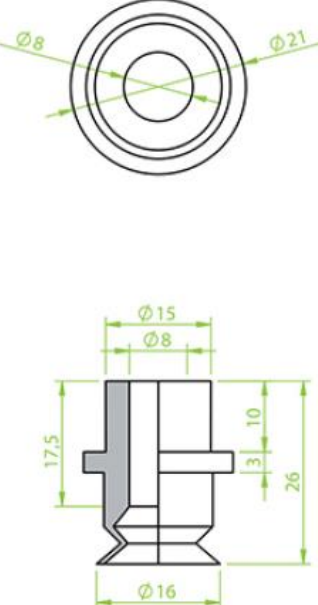


10.016.012._	
	Materialcode
	02 Silikon
Halter Fitting	Gewinde Thread
130.085	1/8" AG
130.086	1/8" IG
	
3mm	0.0g

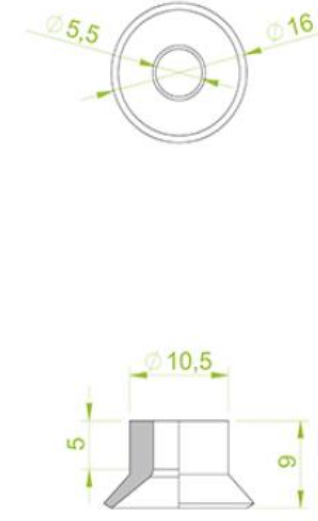


10.016.037._	
	Materialcode
	09 HNBR 05 Polyurethan 02 Silikon
Halter Fitting	Gewinde Thread
130.003	1/8" AG
130.005	M5 IG
130.104	M 6 AG
130.109	1/8" IG
130.134	M5 AG
	
2mm	0.6g

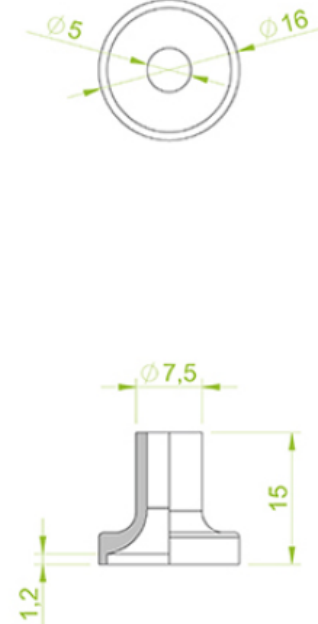


10.016.038._	
	Materialcode
	04 CR
Halter Fitting	Gewinde Thread
130.003	1/8" AG
130.024	M5 AG
130.103	M 6 AG
	
2.5mm	1.2g



10.016.039._	
	Materialcode
	04 CR 06 EPDM 09 HNBR 03 NR
Halter Fitting	Gewinde Thread
130.003 130.024 130.104 130.109 130.134	1/8" AG M5 AG M 6 AG 1/8" IG M5 AG
	
0.5mm	1.0g

10.016.092._	
	Materialcode
	03 NR 02 Silikon
Halter Fitting	Gewinde Thread
130.043 130.114 130.132	1/4" AG 1/8" IG 1/8" AG
	
5mm	3.5g

10.016.172._	
	Materialcode
	03 NR
Halter Fitting	Gewinde Thread
130.095 130.096	1/8" AG 1/8" IG
	
mm	0.0g

10.016.236._	
	Materialcode
	03 NR
Halter Fitting	Gewinde Thread
130.003 130.013 130.015 130.103	1/8" AG M5 AG 1/8" IG M 6 AG
	
mm	0.0g



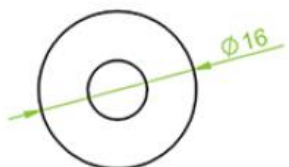
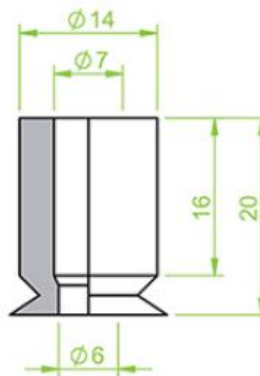


10.016.239._	
	Materialcode
	03 NR
Halter Fitting	Gewinde Thread
130.200	M5 AG
mm	0.0g

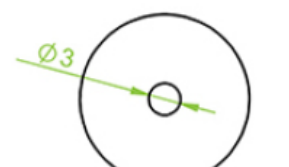
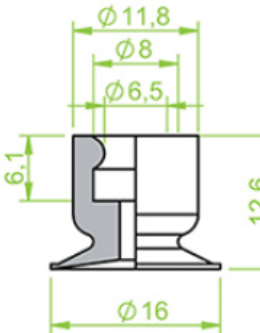


10.016.240._	
	Materialcode
	05 Polyurethan
Halter Fitting	Gewinde Thread
130.037 130.085 130.086	M 5 AG 1/8" AG 1/8" IG
mm	0.0g


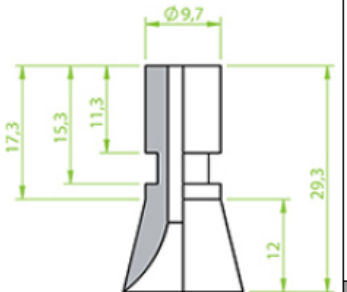


10.016.243._	
	Materialcode
	03 NR 02 Silikon
Halter Fitting	Gewinde Thread
130.013 130.023 130.109 130.194 130.238	M5 AG M5 AG 1/8" IG 1/4" AG 1/8" AG
5mm	1.0g


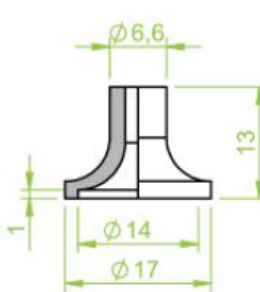


10.016.353._	
	Materialcode
	03 NR
Halter Fitting	Gewinde Thread
130.033	1/8" AG
6mm	2.6g



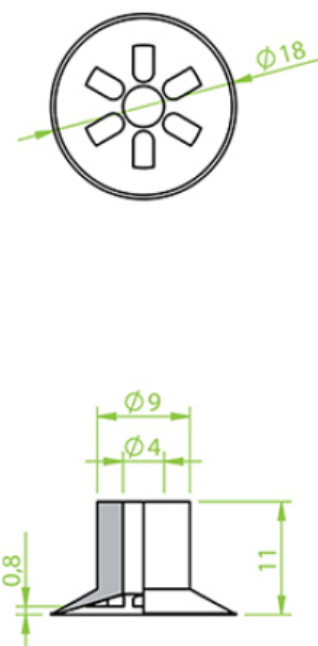


10.016.651._		
	Materialcode	
	01 NBR	
Halter Fitting	Gewinde Thread	
130.043	1/4" AG	
		
mm	0.0g	

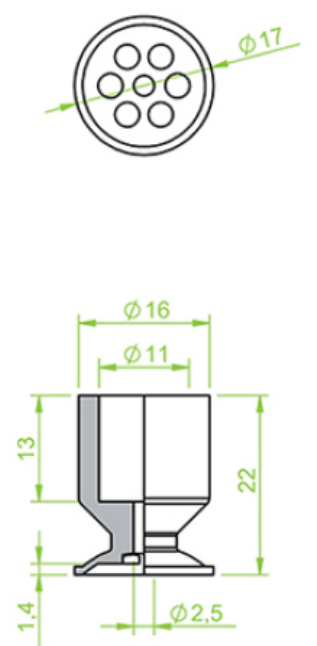


10.016.658._		
	Materialcode	
	03 NR	
Halter Fitting	Gewinde Thread	
130.085 130.086	1/8" AG 1/8" IG	
		
mm	0.0g	

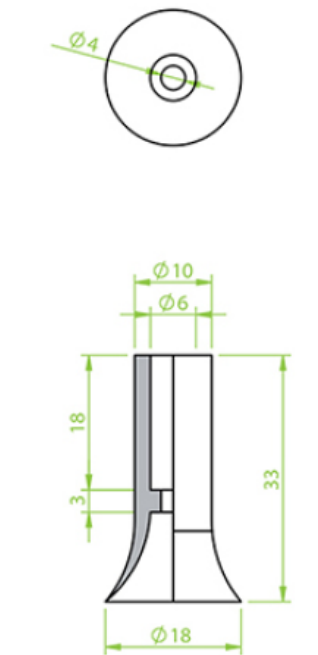


10.016.685._		
	Materialcode	
	02 Silikon	
Halter Fitting	Gewinde Thread	
130.033 130.134	1/8" AG M5 AG	
		
1mm	2.3g	

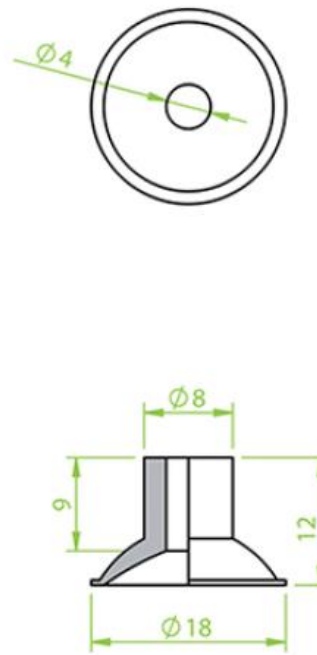


10.017.252._		
	Materialcode	
	03 NR	
Halter Fitting	Gewinde Thread	
		
mm	1.0g	



10.017.255._	
	Materialcode
	03 NR
Halter Fitting	Gewinde Thread
130.087	1/8" AG
130.104	M 6 AG
130.134	M5 AG
	
1mm	1.0g

10.017.595._	
	Materialcode
	05 Polyurethan 02 Silikon
Halter Fitting	Gewinde Thread
130.177	M10 AG
130.451	1/4" AG
130.609	1/4" AG
	
1.4mm	1.5g

10.018.088._	
	Materialcode
	02 Silikon
Halter Fitting	Gewinde Thread
130.238	1/8" AG
	
mm	0.0g

10.018.202._	
	Materialcode
	02 Silikon
Halter Fitting	Gewinde Thread
130.033	1/8" AG
130.134	M5 AG
	
2mm	1.0g



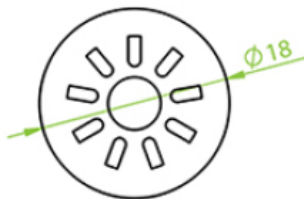
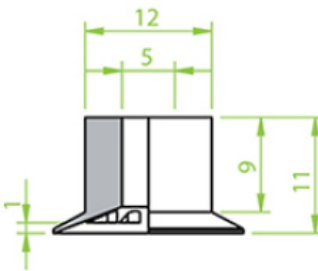


10.018.261._	
	Materialcode
	03 NR
Halter Fitting	Gewinde Thread
130.200	M5 AG
0.5mm	0.2g





10.018.262._	
	Materialcode
	03 NR
Halter Fitting	Gewinde Thread
130.200	M5 AG
mm	0.0g

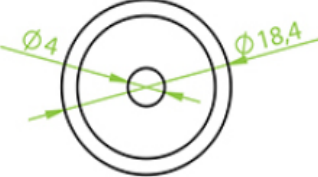
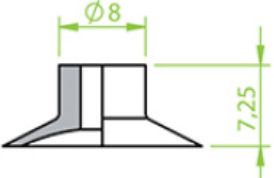


10.018.265._	
	Materialcode
	01 NBR 03 NR 02 Silikon
Halter Fitting	Gewinde Thread
130.013 130.109 130.238	M5 AG 1/8" IG 1/8" AG
1mm	1.0g

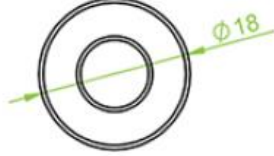
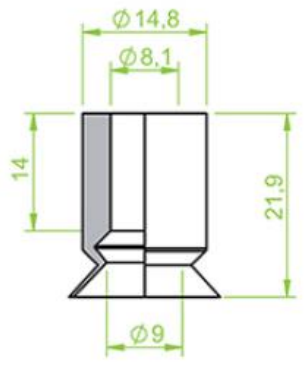


10.018.266._	
	Materialcode
	02 Silikon
Halter Fitting	Gewinde Thread
130.094 130.095 130.096	M5 AG 1/8" AG 1/8" IG
mm	0.0g







10.018.267._	
Materialcode	
V Vinyl	
Halter Fitting	Gewinde Thread
130.024	M5 AG
130.033	1/8" AG
130.350	1/8" AG
	
	
	
mm	0.0g

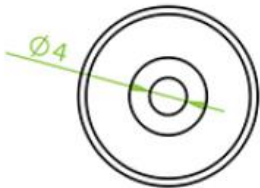
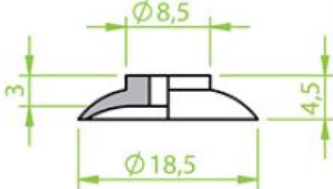


10.018.271._	
Materialcode	
03 NR	
Halter Fitting	Gewinde Thread
	
	
	
mm	0.0g

10.018.621._	
Materialcode	
01 NBR	
Halter Fitting	Gewinde Thread
130.009	1/8" AG
	
	
	
mm	0.0g

10.018.679._	
Materialcode	
03 NR	
Halter Fitting	Gewinde Thread
130.043	1/4" AG
	
	
	
5mm	2.0g



10.019.272._		
	Materialcode	
	03 NR	
	Halter	Gewinde
	Fitting	Thread
		
1mm	1.0g	

10.019.274._		
	Materialcode	
	03 NR	
	Halter	Gewinde
	Fitting	Thread
		
mm	0.0g	